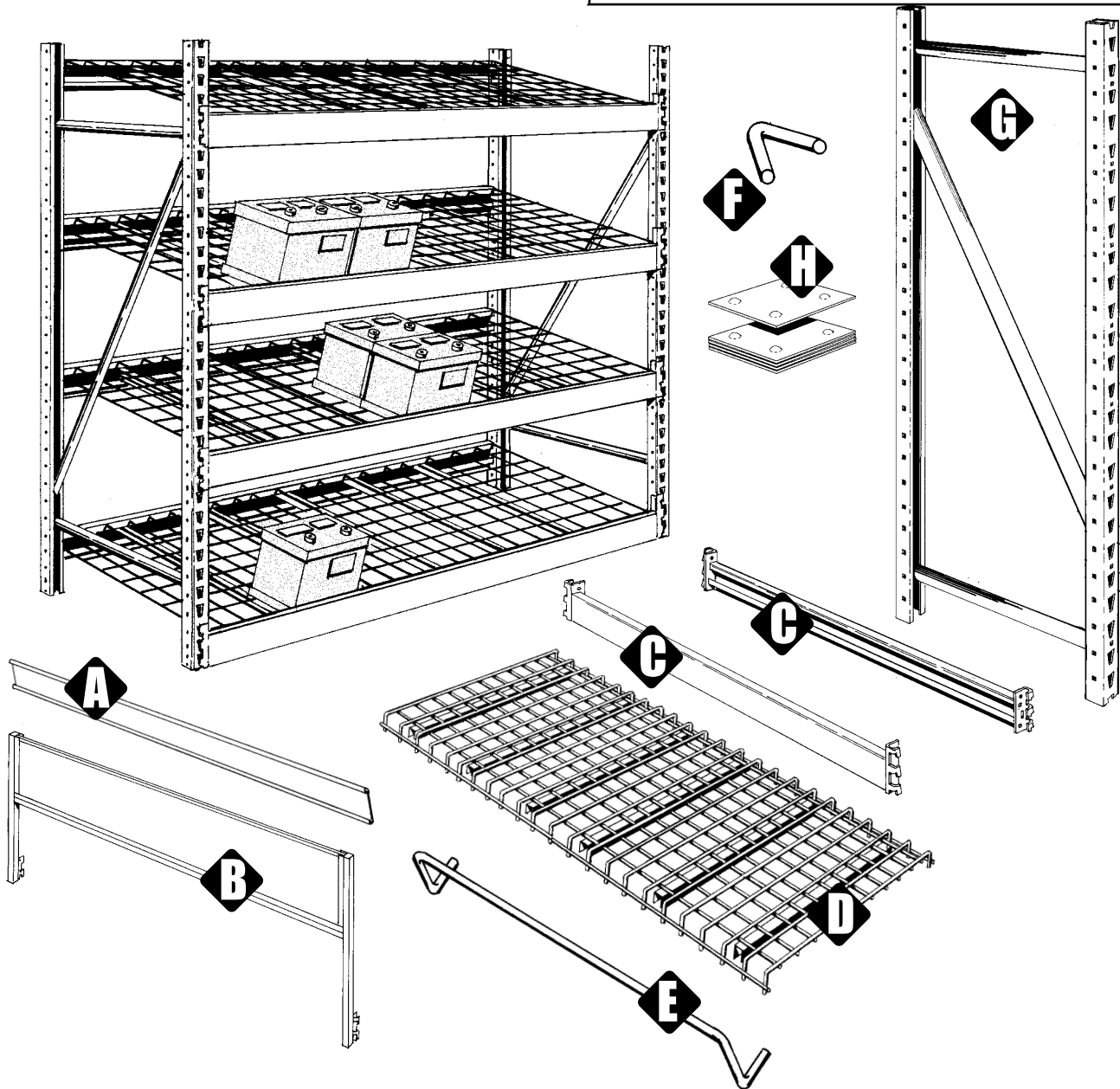


BATTERY RACK KITS

ASY 331

ASSEMBLY INSTRUCTIONS



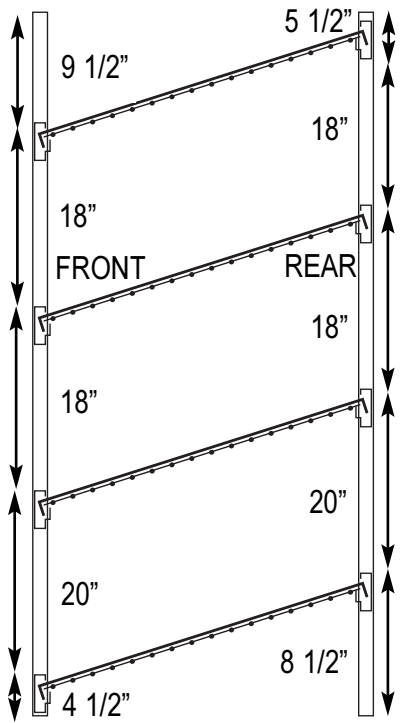
Quantity of Each Part are as follows...	Retail Kit Starter	Retail Kit Add On	Warehouse Starter	Warehouse Add On	60-10-48 Starter	60-10-48 Add On
<A> Magnetic Tag Mold - WSBRTM	4	4	0	0	0	0
 Battery Rack Sign Holder - HMS	1	1	0	0	0	0
<C> Gravity Feed Beams - HMGFB-RD	8	8	8	8	10	10
<D> Gravity Feed Deck - HMGFWD	4	4	4	4	5	5
<E> Battery Rack Retainer Wire - BRRW	8	8	8	8	10	10
<F> Widespan Retainer Pin - WSREP	20	20	20	20	20	20
<G> Widespan Regular Duty Frame - RDWF	2	1	2	1	2	1
<H> Widespan Leveling Shim - WSLs-10	10	10	10	10	10	10

BATTERY RACK KITS

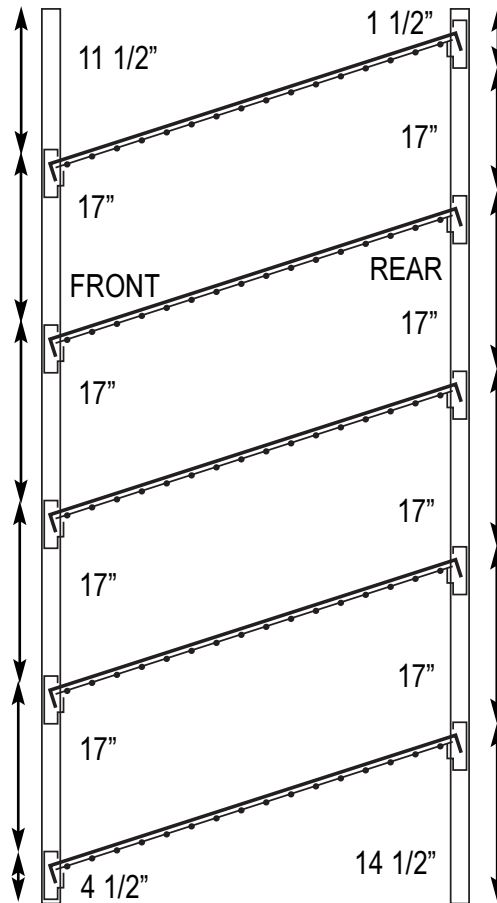
ASY 331

ASSEMBLY INSTRUCTIONS

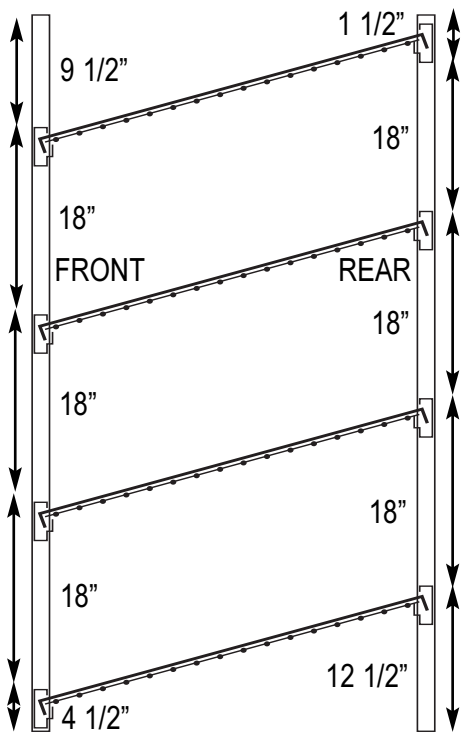
RECOMMENDED HEIGHTS OF BEAM/DECK LEVELS
 NOTE: Locations of Top and Bottom Decks and Beams should be adhered to strictly according to this diagram.
 Middle Shelves can be spaced differently if necessary, as long as spacing at front and back of shelf is kept equal.



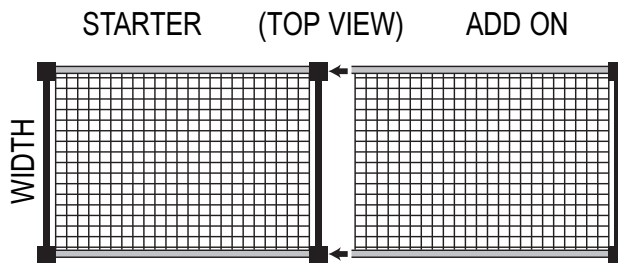
RETAIL 26" WIDE 68" TALL



60-10-48 62" WIDE 84" TALL



WAREHOUSE 38" WIDE 68" TALL



BATTERY RACK KITS

ASY 331

ASSEMBLY INSTRUCTIONS

1

Two beams and four retainer pins are required for each level of gravity feed decks. To install the bottom pair of beams, hold one frame upright (see image for top and bottom identification) and install a beam at floor level. Hold the 2nd frame upright and install the other end of the beam at floor level on it, as well. The frames will now stand alone. This beam now installed is the front of the rack.

2

Insert one leg of a retainer pin through the hole where the upright and beam bracket line up (see diagram). Do this for all beams installed.

3

Install the 2nd beam for the bottom shelf. This will be installed on the opposite (rear) side of the rack. See previous page diagrams for location to install this beam. Choose diagram based on height of rack you are assembling.

4

To install the wire grid deck, insert the down lip of a deck in to the open rear side of the front beam. Lower the rear edge of the deck and insert the down lip at the rear of the deck in to the open side of the rear beam.

5

Working upward, repeat steps to install the remaining beams and decks. See previous page for recommended installed heights.

6

Once decks and beams are installed, retainer wires must be installed. At the first square hole above each beam, insert the wire as shown, and rotate the end tab upward.

7

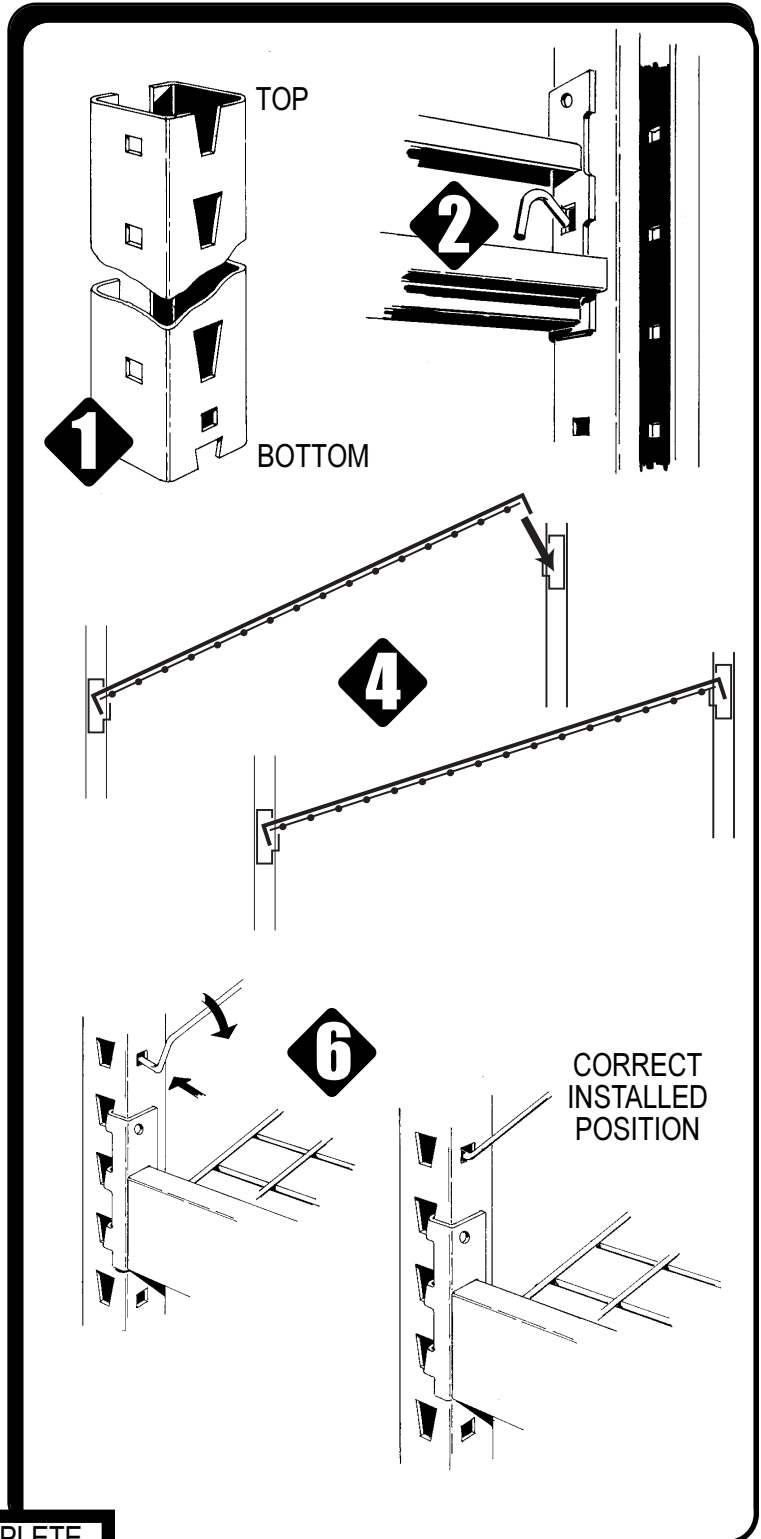
Check that all frame uprights are touching the floor... if any uprights are off the floor, use the stacking leveling shims under each upright to eliminate rocking.

8

For installation of ADD sections, repeat above steps using a frame of the STARTER section as the first frame in step 1.

9

If the installation is for the Retail version, place the magnetic tag holder on the face of each front beam. The sign holder is normally placed at the top front, but may be placed at the rear top by reversing end to end.



ASSEMBLY COMPLETE



P.O. BOX 729 / TERRELL, TEXAS 75160 / 972.563.5744 / 800.776.2349

P.O. BOX 177 / GOODWATER, ALABAMA 35072 / 256.839.6354 / 800.633.6282



REV#	ECN#	REVISION	BY	DATE
A	PCR5666	Revise layout, add 3rd rack & revise text	ACM	2/8/01

REV#	ECN#	REVISION	BY	DATE