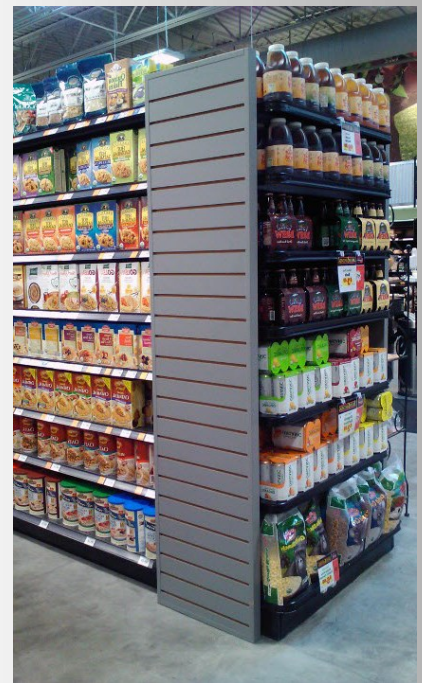
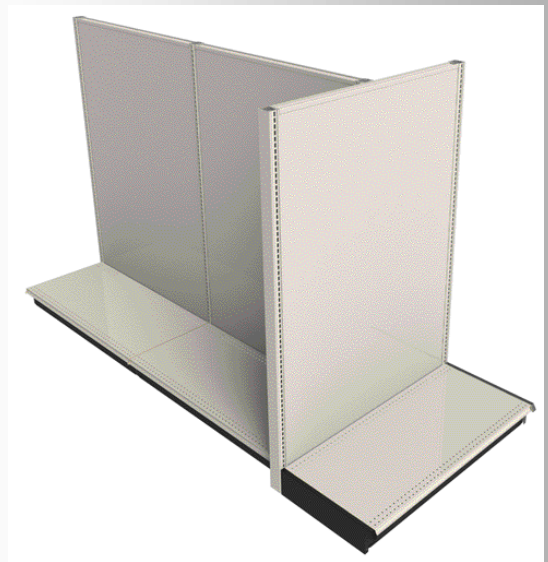


Benefits - Convenience, Selection, Value **Results** - Accuracy, Delivery, Completion **People** - Experienced, Responsive, Thorough



Finding the proper mix of retail fixtures for your store can be difficult. Bring your questions, retail fixture needs, or display problems to us and one of our industry specialists will pair you with the display fixtures that will best support your program.

Whether you are opening a new retail business or updating fixtures across numerous outlets, we are dedicated to providing solutions to your merchandising challenges. Our industry expertise will provide attractive retail fixtures, gondola shelving, and merchandising accessories that guarantee your retail success.

At Midwest Retail Services, our goal is to match high quality retail fixtures to your merchandising vision through a unique blend of products and solutions.

Find out more about how Midwest Retail Services can help your program grow and succeed by calling **800-576-7577** or contacting us at info@mw-rs.com.

Midwest Retail Services ---

Benefits - Convenience, Selection, Value **Results** - Accuracy, Delivery, Completion **People** - Experienced, Responsive, Thorough

Streater™ Ultra Shelving

STREATER



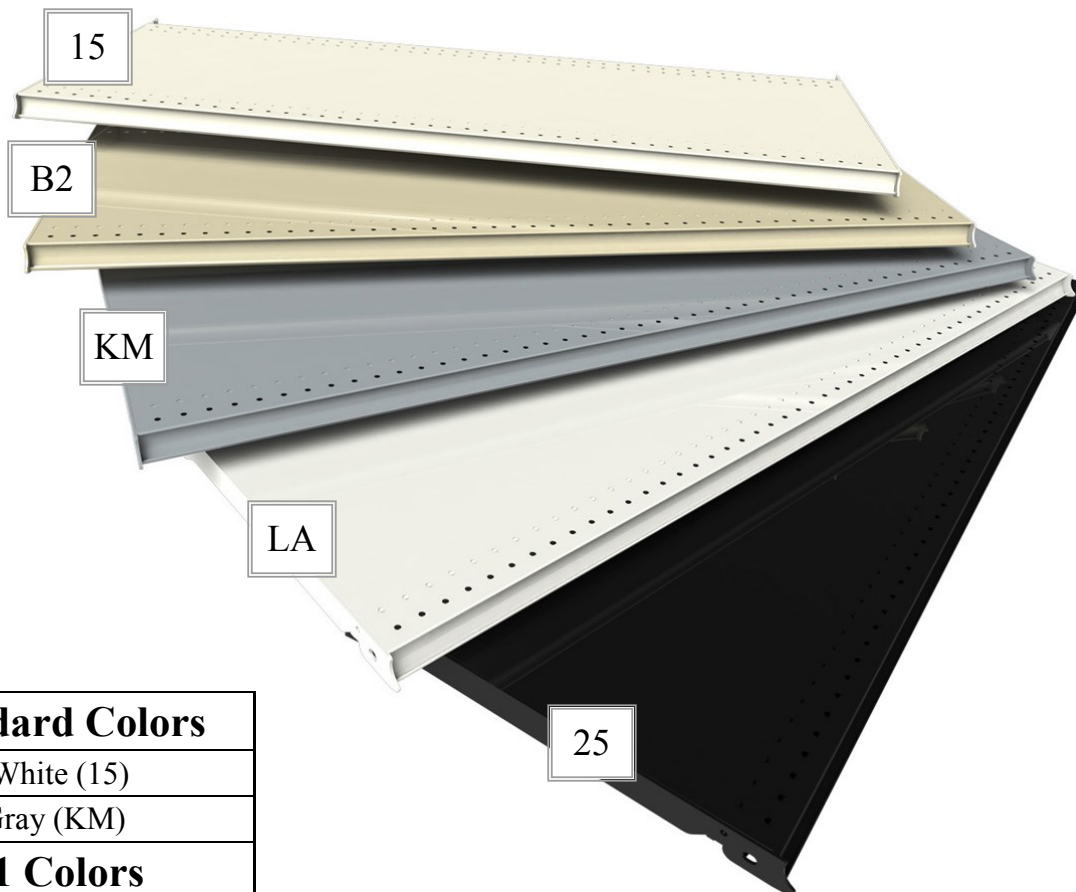
Streater Ultra Shelving provides exceptional durability for even the most extensive of retail uses. Streater's slimline design provides an upscale look, while its high steel content, textured shelves, and scratch-resistant materials ensure the utmost reliability year-after-year. With four adjustable shelf positions and a straight-in no tilt design, reconfiguring your shelving to accommodate merchandising changes has never been easier. Streater Ultra Shelving's versatility makes it a perfect fit for any drugstore, convenience store, pet supply store, bookstore, party supply store, and other retail operations.

Key Features

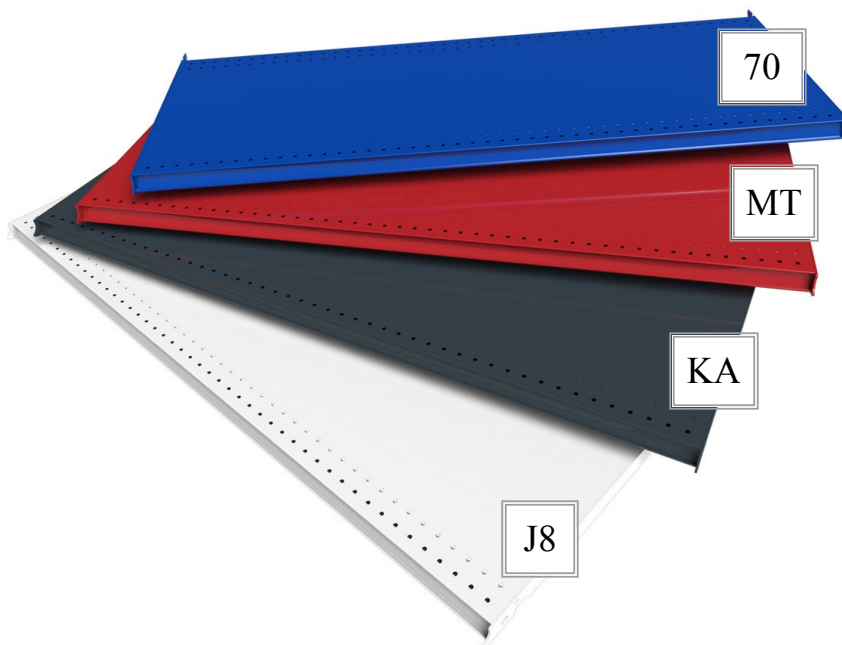
- Shelves and standards offer maximum strength with slim-line design
- True module size for starters and add-on units, a 48" long unit truly measures 48"
- Textured shelves offer the highest scratch resistance
- End uprights and bottom arms with smooth finished appearance, no covers needed
- Straight-in bottom arm design for quick installation and reset options

Streater™ Ultra Colors

STREATER



Standard Colors
Décor White (15)
Dove Gray (KM)
Tier 1 Colors
Sahara (B2)
Frosty White (LA)
Black (25)
Tier 2 Colors
Bright Blue (70)
Liberty Red (MT)
Charcoal (KA)
Skyline Gray (GX)
Bright White (J8)



Unbalanced Load Calculations

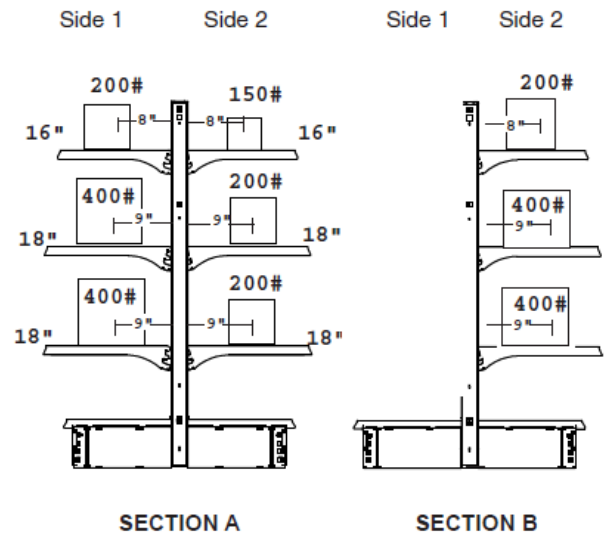
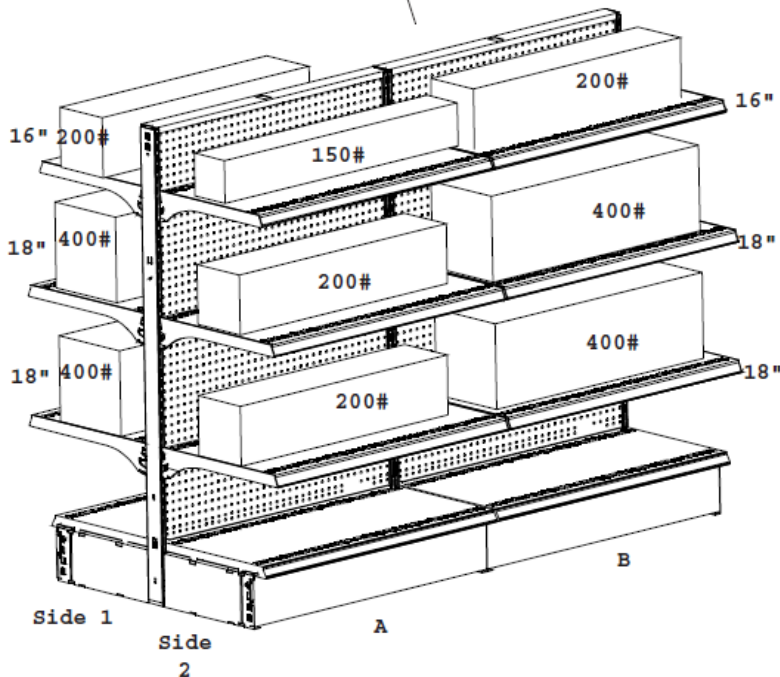
When heavily loading one side of your wall or gondola shelving, it is important to determine if you are creating an unbalanced load that exceeds the maximum design load (SEE LOAD CAPACITY CHART ON PAGE 106). The sample calculation below illustrates how you can determine your unbalanced load in inch-pounds.

NOTE: Inch-pounds are a measure of the shelf loads acting at a distance (1/2 shelf depth) from the standard (upright).

SAMPLE CALCULATION

STARTER / ADD-ON UNIT TYPE USED FOR ILLUSTRATION

CALCULATE THE UNBALANCED LOAD ACTING ON THIS STANDARD



	Shelf depth , 2	x	Shelf load , 2	Side 1	Side 2
SECTION A	8"	x	100#	800"#	
	9"	x	200#	1800"#	
	9"	x	200#	1800"#	
	8"	x	75#		600"#
	9"	x	100#		900"#
	9"	x	100#		900"#
SECTION B	no load			0	
	8"	x	100#		800"#
	9"	x	200#		1800"#
	9"	x	200#		1800"#
total (Section A & B)				4400"#	6800"#

Subtract the smaller from the larger 6800"#
 - 4400"#
 Total unbalanced load acting on standard 2400"#

NOTE: Shelf depth is divided by 2 because an **evenly distributed shelf load** is calculated as a total load at center of shelf depth.

Shelf load is divided by 2 because a shelf load is supported by 2 standards.

Deck load does **not** contribute to unbalanced load.

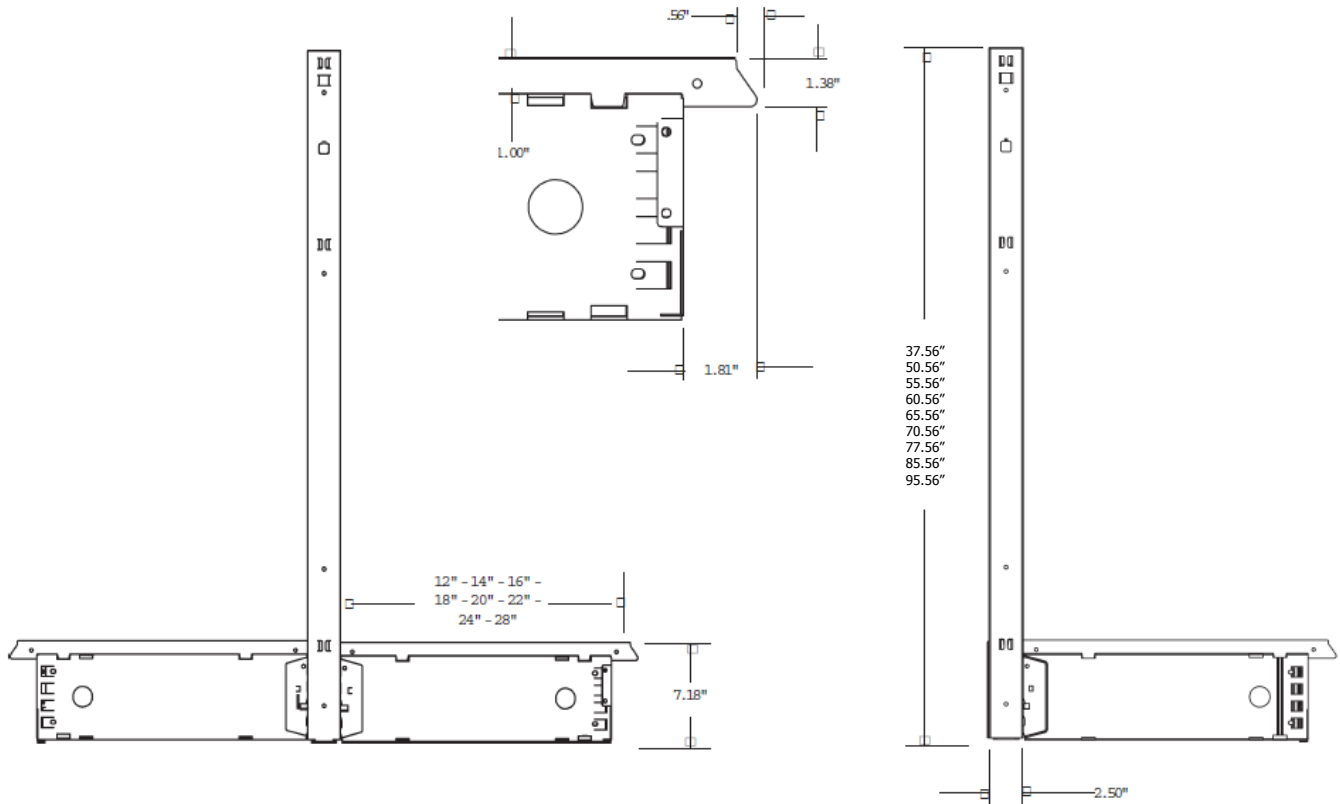
Unbalanced Load Capacity Ratings

UNIT TYPE 2½" Standard	INCH-POUND CAPACITY
STARTER one unit, with 2 end standards (single uprights)	3,400"#
STARTER/ADD-ON any one unit at either end of run with 1 end standard & 1 center standard (double upright)	9,500"#
STARTER/ADD-ON/FEF any end unit (1 end standard & 1 center standard) at either end of run with feature end attached	12,000"#
ADD-ON/ADD-ON any unit within a run with 2 center standards (double uprights)	12,000"#

SPECIAL NOTES:

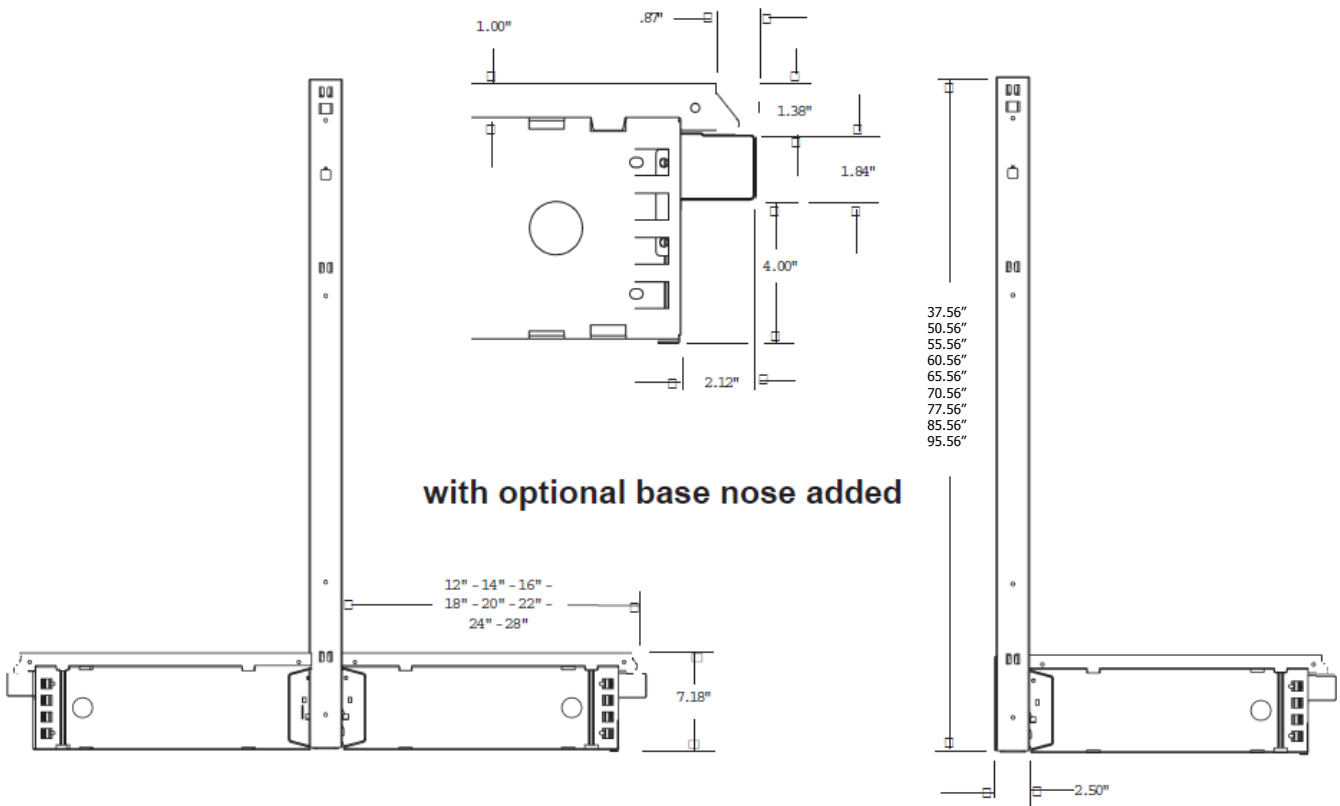
- Maximum height to depth ratio is 5:1. Any situation where the height of a standard is more than 5 times the length of the bottom arm must be approved by Streater engineering department.
- The maximum unbalanced load on shelves above the joint on an extension standard (upright) should not exceed 2500 inch-pounds.
- The loads applied to perforated back panels should not exceed 150 lbs. per panel.
- Shelf locking keys increase inch-pound capacity by approximately 15%.
- Please check with Streater engineering department for verification if unfamiliar with loading conditions.

Gondola & Wallcase Specifications



full gondola - trimline

half gondola & wallcase - trimline

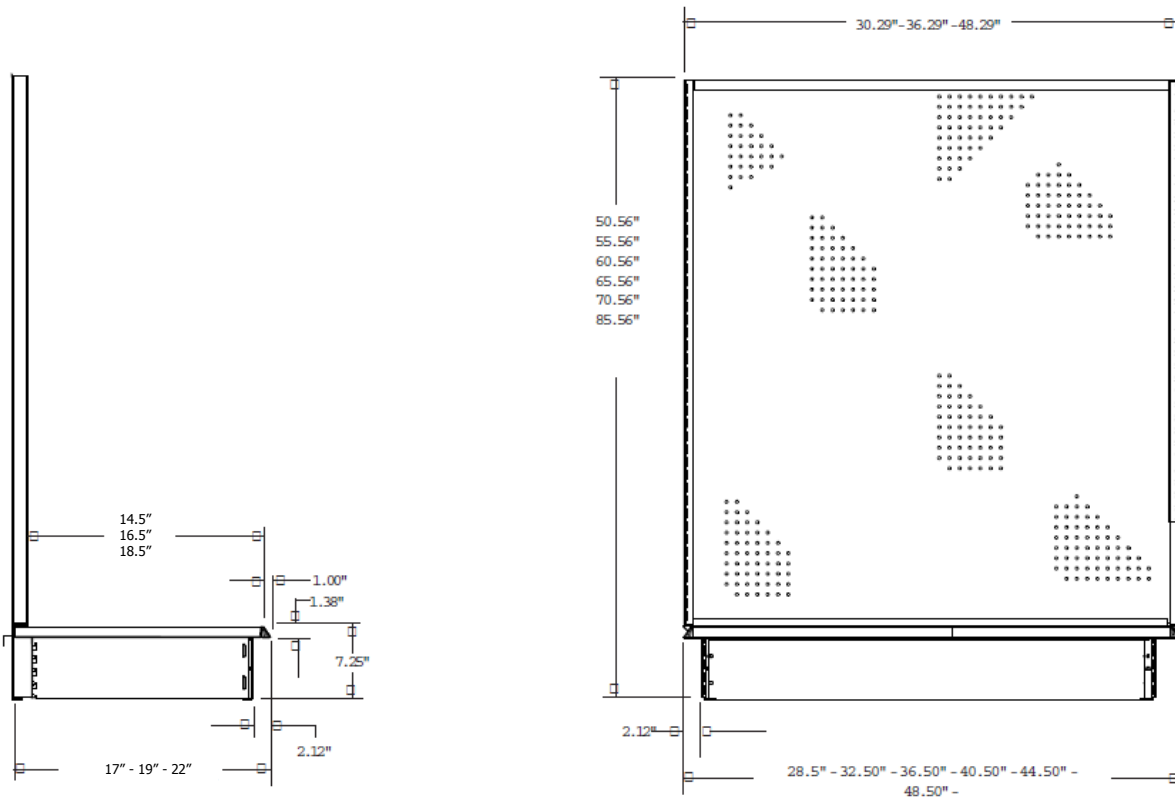


with optional base nose added

full gondola - trimguard

half gondola & wallcase - trimguard

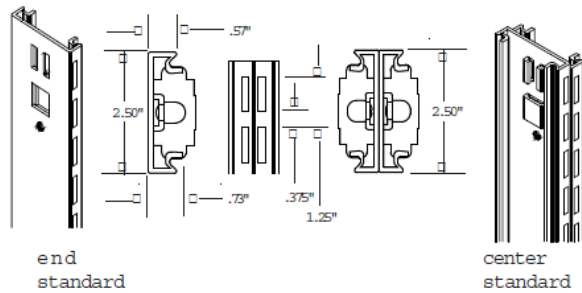
Contour & Feature End Specifications



trimline contour end base with feature end frame

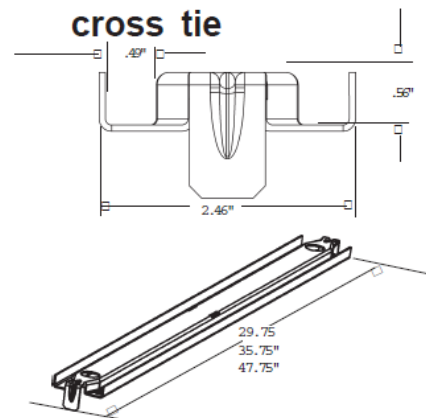
Gondola & Wallcase Component Specifications

standards



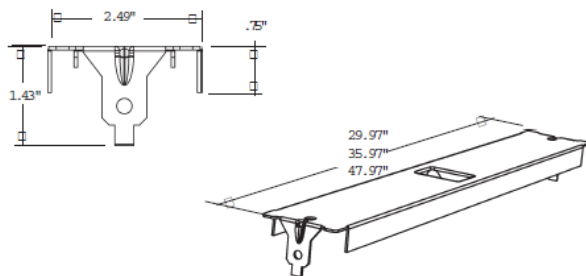
- actual heights of standards
37½" - 50½" - 60½" - 65½" - 70½" -
85½" - 95½" -
- 12 gauge steel
- baked acrylic enamel

cross tie



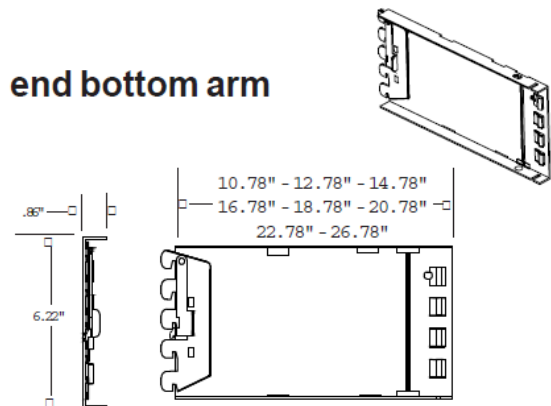
- 30", 36" & 48" module lengths
- kwik-fit™ - no attachment hardware required
- 16 gauge steel
- baked acrylic enamel

top cap



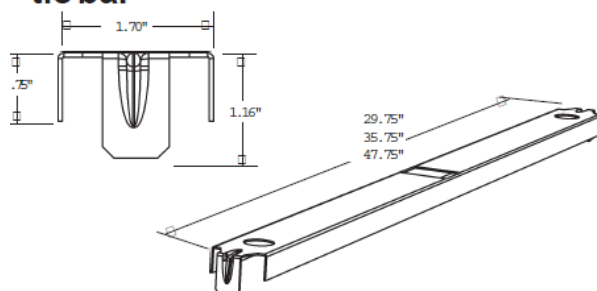
- 30", 36" & 48" module lengths
- kwik-fit™ - no attachment hardware required
- 16 gauge steel
- baked acrylic enamel
- available with electrical outlet

end bottom arm



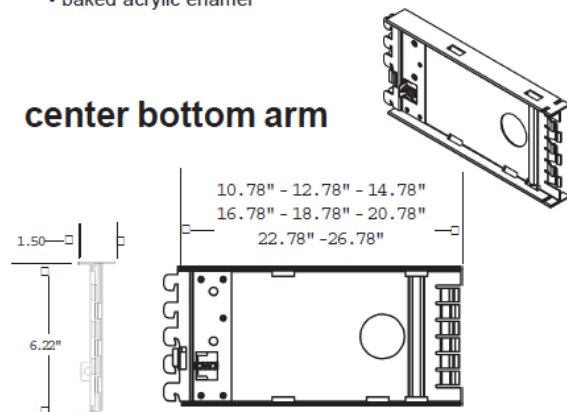
- nominal lengths 12" - 14" - 16" - 18" - 20" - 22" - 24" - 28"
- kwik-fit™ - no attachment hardware required
- 13 gauge high strength steel
- baked acrylic enamel

tie bar



- 30", 36" & 48" module lengths
- kwik-fit™ - no attachment hardware required
- 18 gauge steel
- baked acrylic enamel

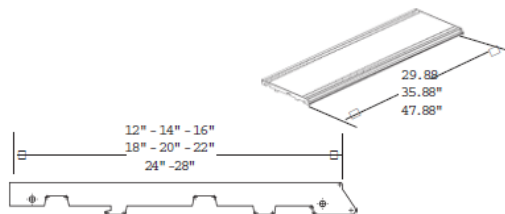
center bottom arm



- nominal lengths 12" - 14" - 16" - 18" - 20" - 22" - 24" - 28"
- kwik-fit™ - no attachment hardware required
- 14 gauge steel with 12 gauge steel hooks
- baked acrylic enamel

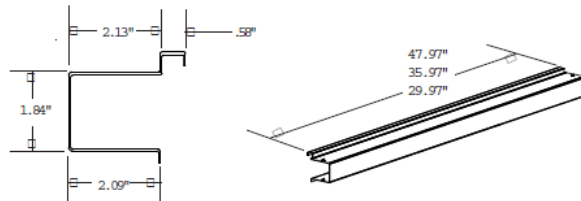
Gondola & Wallcase Component Specifications

base deck



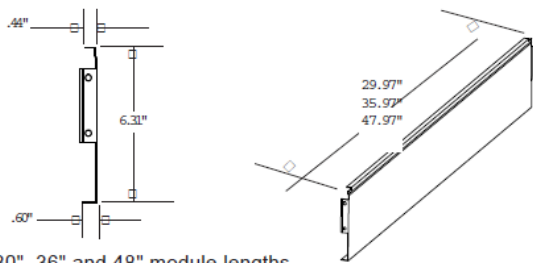
- 30", 36" & 48" module lengths
- one piece 23 gauge embossed steel deck pan with rolled-in 1/4" ticket moulding
- welded end plates & reinforcement hat sections
- two row perforations front & rear
- baked acrylic enamel

trimguard base nose



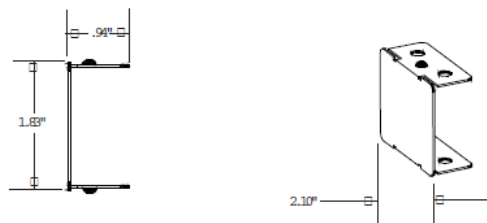
- 30", 36" & 48" module lengths
- protects front of base deck from carts, etc.
- 18 gauge steel
- baked acrylic enamel
- optional item, order as added item to trim-line gondola kits

trimline floating kick plate



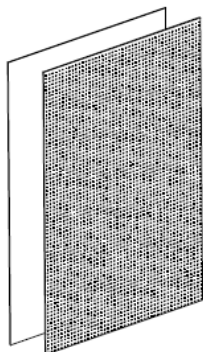
- 30", 36" and 48" module lengths
- 18 gauge steel
- baked acrylic enamel
- available with electrical knockout

trimguard base nose end cap



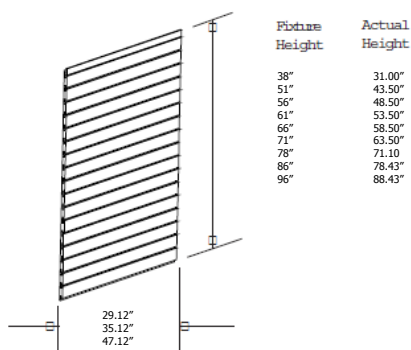
- finishes off ends of trimguard base nose
- two per half starter module & four per full starter module
- 18 gauge steel
- baked acrylic enamel
- optional item, sold individually

nominal 1/4" back panel - finished one side



- Perforated or solid backs in choice of standard or optional color
- baked enamel (see color chart for reference)

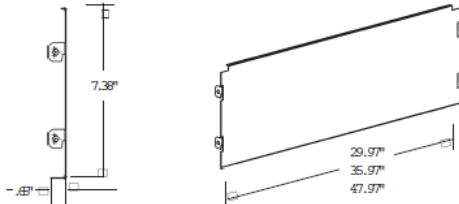
nominal 3/4" slatwall back panel - finished one side



- slatwall backs in choice of standard or optional color
- baked enamel (see color chart for reference)
- with or without steel T-slot inserts

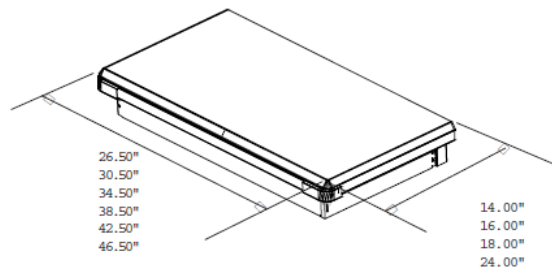
Gondola & Wallcase Component Specifications

flush base



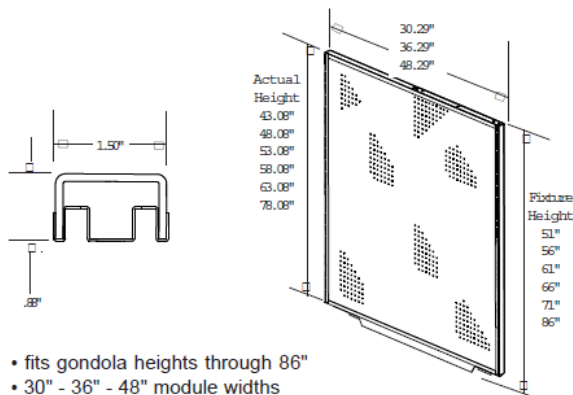
- 30", 36" - 48" module widths
- retains bottom of back panel when no base is required
- 20 gauge steel
- baked acrylic enamel

contour end base



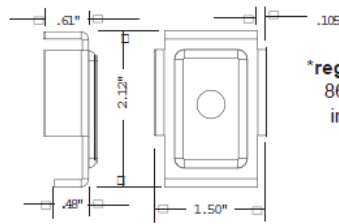
- - 14" - 16" - 18" - 24" nominal depths
- 26" thru 46" nominal widths on standard duty
- fits 14" thru 22" bases both sides
- three row perforations front and three row perforations rear
- baked acrylic enamel
- available in trimguard and trimline

feature end frame



- fits gondola heights through 86"
- 30" - 36" - 48" module widths
- choice of 1/4" back panels
- support plate hooks on bottom arms
- 1-1/4" slot spacing frame, 12 gauge steel
- baked acrylic enamel

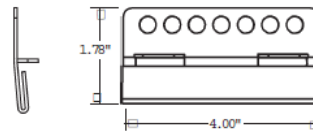
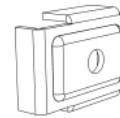
wallcase anchoring devices



*regular duty(2-1/2" wallcase)
86" - 96" heights
includes 2 standard wall tie brackets per module

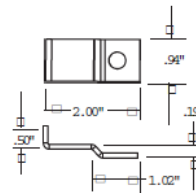
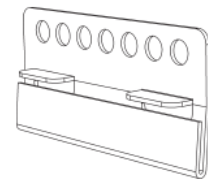
standard wall tie bracket

- 12 gauge steel
- (82) zinc plated



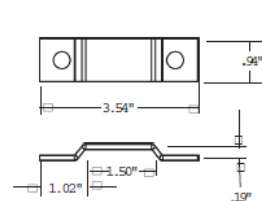
top cap anchoring bracket

- 12 gauge steel
- (82) zinc plated



end bottom arm tie down

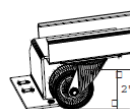
- 12 gauge steel
- (82) zinc plated



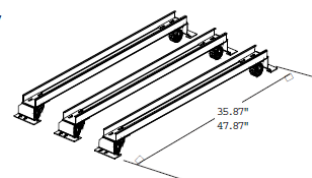
center bottom arm tie down

- 12 gauge steel
- (82) zinc plated

caster assembly

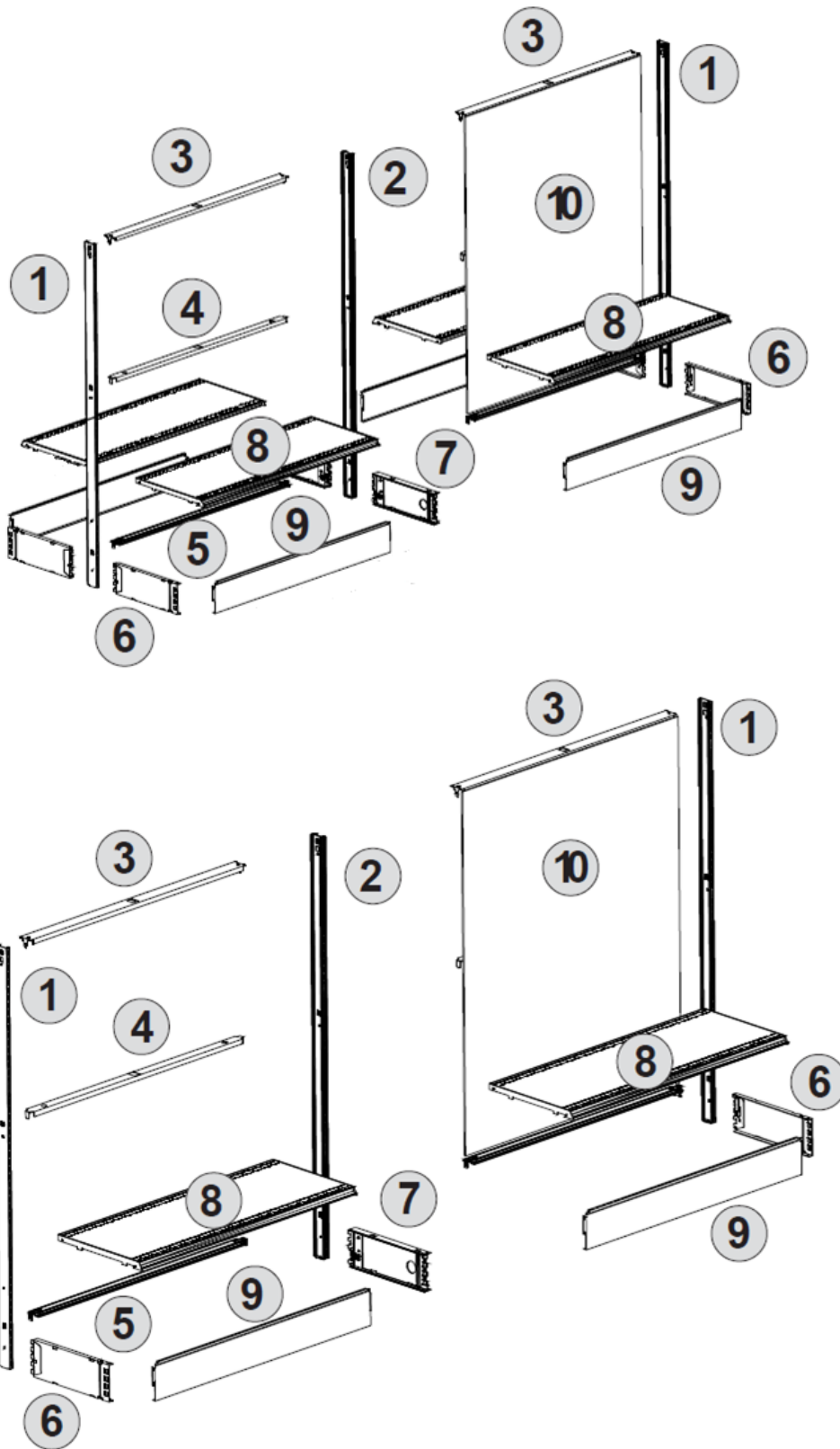


- 36" - 48" module lengths
- steel support 12 gauge steel
- 2" dia. casters



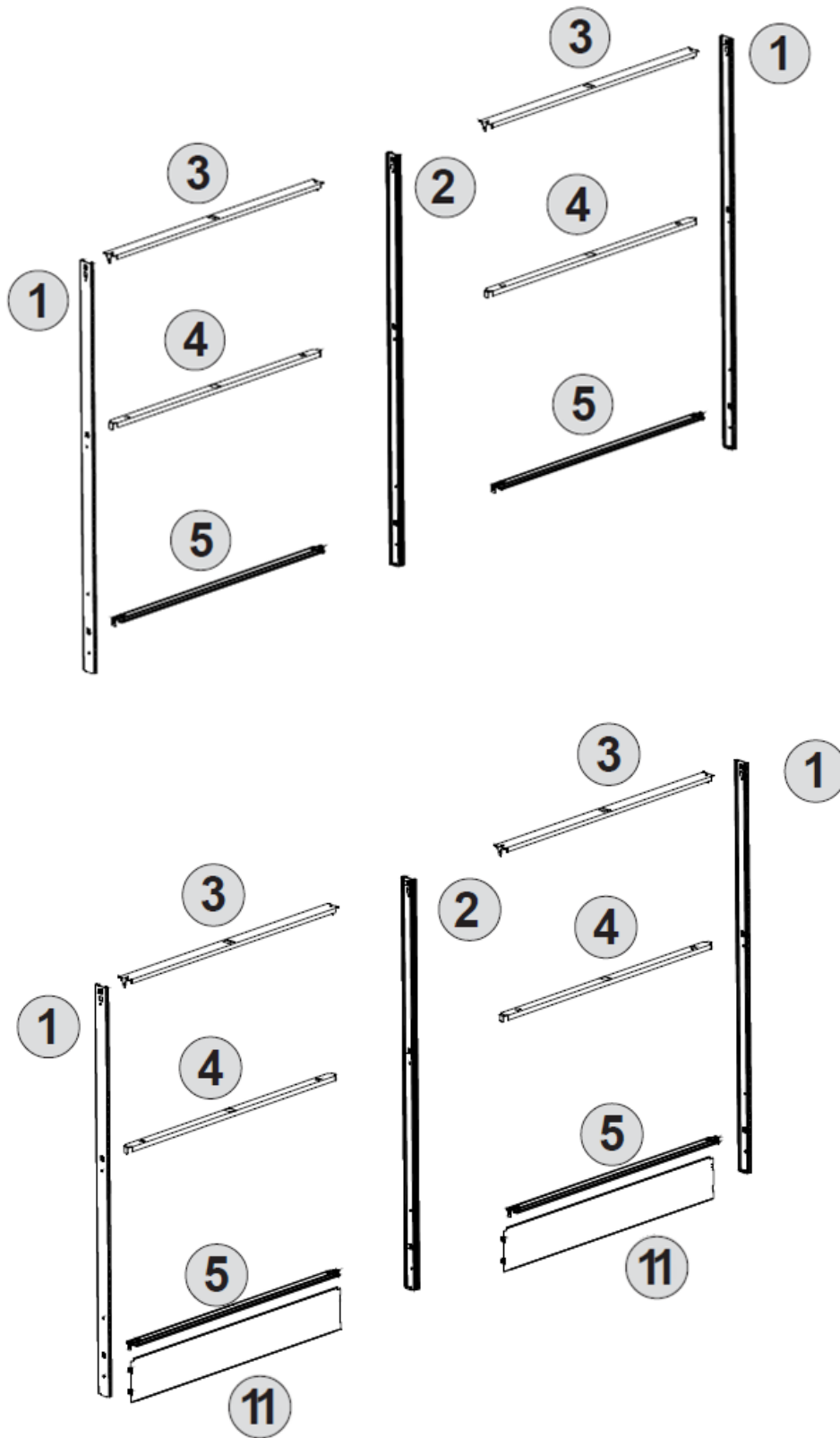
caster capacity:
half gondola 550 pounds per section
full gondola 800 pounds per section

Gondola & Wallcase - Exploded



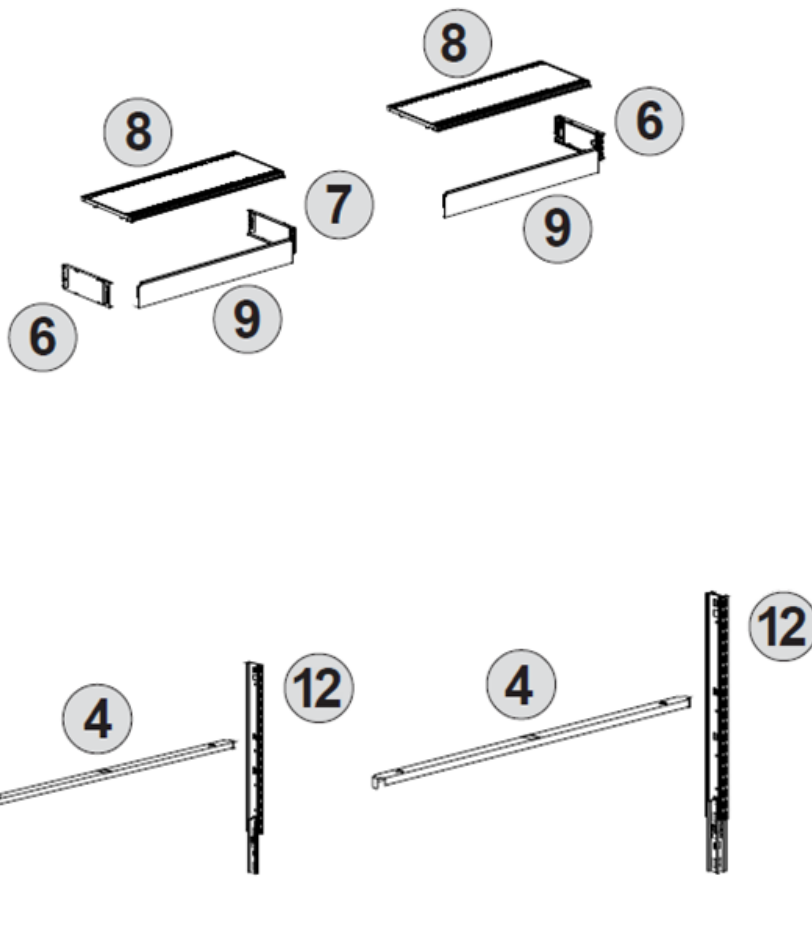
Parts List	
1	2-1/2" End Standard (2) per starter unit
2	2-1/2" Center Standard (1) per add-on unit
3	Top Cap (1) per unit
4	Tie Bar (1) per unit 56" - 96" high
4a	Slatwall Tie Used when installing slatwall (1) per unit 51" - 71" (2) per unit for 78" and higher
5	Cross Tie (1) per unit
6	End Bottom Arm (1) pair per half starter unit (2) pairs per full starter unit
7	Center Bottom Arm (1) per half add-on unit (2) per full add-on unit
8	Base Deck (1) per half shelving unit (2) per full shelving unit
9	Kick Plate (1) per half shelving unit (2) per full shelving unit
10	Back Panel (1) per half shelving unit (2) per full shelving unit
11	Flush Base (1) per half shelving unit
12	Extender Standards (1) per end standard (2) per center standard

Open Back & Open Back with Flush Base - Exploded



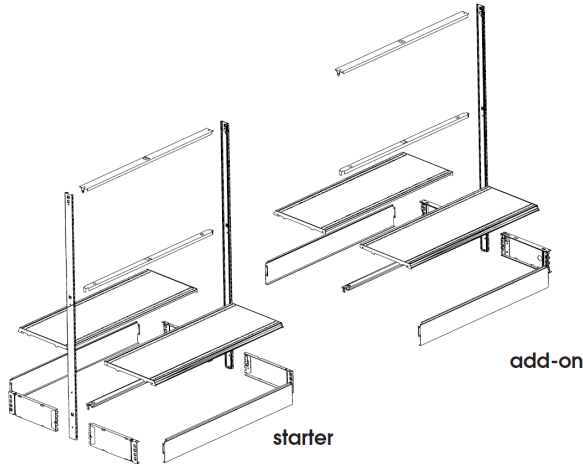
Parts List	
1	2-1/2" End Standard (2) per starter unit
2	2-1/2" Center Standard (1) per add-on unit
3	Top Cap (1) per unit
4	Tie Bar (1) per unit 56" - 96" high
4a	Slatwall Tie Used when installing slatwall (1) per unit 51" - 71" (2) per unit for 78" and higher
5	Cross Tie (1) per unit
6	End Bottom Arm (1) pair per half starter unit (2) pairs per full starter unit
7	Center Bottom Arm (1) per half add-on unit (2) per full add-on unit
8	Base Deck (1) per half shelving unit (2) per full shelving unit
9	Kick Plate (1) per half shelving unit (2) per full shelving unit
10	Back Panel (1) per half shelving unit (2) per full shelving unit
11	Flush Base (1) per half shelving unit
12	Extender Standards (1) per end standard (2) per center standard

Base Add-on & Extension Standards - Exploded



Parts List	
1	2-1/2" End Standard (2) per starter unit
2	2-1/2" Center Standard (1) per add-on unit
3	Top Cap (1) per unit
4	Tie Bar (1) per unit 56" - 96" high
4a	Slatwall Tie Used when installing slatwall (1) per unit 51" - 71" (2) per unit for 78" and higher
5	Cross Tie (1) per unit
6	End Bottom Arm (1) pair per half starter unit (2) pairs per full starter unit
7	Center Bottom Arm (1) per half add-on unit (2) per full add-on unit
8	Base Deck (1) per half shelving unit (2) per full shelving unit
9	Kick Plate (1) per half shelving unit (2) per full shelving unit
10	Back Panel (1) per half shelving unit (2) per full shelving unit
11	Flush Base (1) per half shelving unit
12	Extender Standards (1) per end standard (2) per center standard

Full Gondola • 38" High



Kits contain parts as shown on illustration
Order appropriate type of back panels

- Designate color for back panels
- Designate a color for standards and decks.
- Black (25) is standard for all base trim components
- Slatwall backs require slatwall tie bar, see page 43
- Leveler option, see page 42
- Standard colors Décor White (15) and Dove Gray (KM)
- See color chart for additional colors

Full Gondola • 38" High	deck depth	unit type	48"	36"	30"
			part number	part number	part number
12	starter	00205-1402	00205-1392	00205-1382	
	add-on	00205-1452	00205-1442	00205-1432	
14	starter	00205-1403	00205-1393	00205-1383	
	add-on	00205-1453	00205-1443	00205-1433	
16	starter	00205-1404	00205-1394	00205-1384	
	add-on	00205-1454	00205-1444	00205-1434	
18	starter	00205-1405	00205-1395	00205-1385	
	add-on	00205-1455	00205-1445	00205-1435	
20	starter	00205-1406	00205-1396	00205-1386	
	add-on	00205-1456	00205-1446	00205-1436	
22	starter	00205-1407	00205-1397	00205-1387	
	add-on	00205-1457	00205-1447	00205-1437	
24	starter	00205-1408	00205-1398	00205-1388	
	add-on	00205-1458	00205-1448	00205-1438	
28	starter	00205-1410	00205-1400	00205-1390	
	add-on	00205-1460	00205-1450	00205-1440	

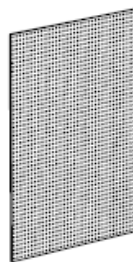
Back Panels for 38" Gondola

Painted Solid Backs



- 1/4" hardboard
- painted 1 side
- baked enamel

Painted Perforated Backs



- 1/4" hardboard
- painted 1 side
- baked enamel

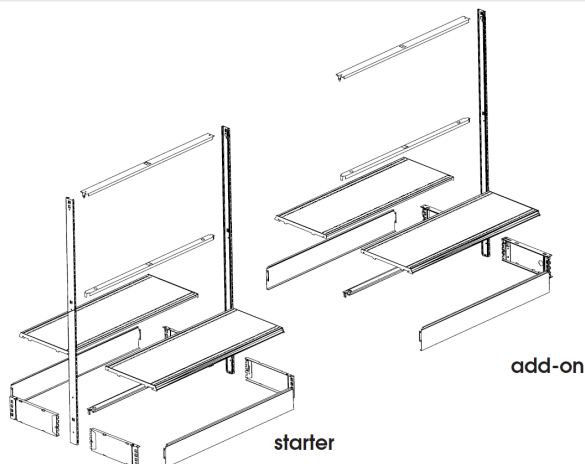
Painted Perf & Groove Backs



- 1/4" material
- 1/4" perforations
- Vertically 2" O.C.

Size	Part Number	Size	Part Number	Size	Part Number
48	08507-1281	48	08507-1381	48	08507-6076
36	08507-1272	36	08507-1372	36	08507-6065
30	08507-1263	30	08507-1363	30	08507-6054

Full Gondola • 51" High



Kits contain parts as shown on illustration

Order appropriate type of back panels

- Designate color for back panels
- Designate a color for standards and decks.
- Black (25) is standard for all base trim components
- Slatwall backs require slatwall tie bar, see page 43
- Leveler option, see page 42
- Standard colors Décor White (15) and Dove Gray (KM)
- See color chart for additional colors

Full Gondola • 51" High			48"	36"	30"
	deck depth	unit type	part number	part number	part number
	12	starter	00205-0682	00205-0672	00205-0662
		add-on	00205-0982	00205-0972	00205-0962
	14	starter	00205-0683	00205-0673	00205-0663
		add-on	00205-0983	00205-0973	00205-0963
	16	starter	00205-0684	00205-0674	00205-0664
		add-on	00205-0984	00205-0974	00205-0964
	18	starter	00205-0685	00205-0675	00205-0665
		add-on	00205-0985	00205-0975	00205-0965
	20	starter	00205-0686	00205-0676	00205-0666
		add-on	00205-0986	00205-0976	00205-0966
	22	starter	00205-0687	00205-0677	00205-0667
		add-on	00205-0987	00205-0977	00205-0967
24	starter	00205-0688	00205-0678	00205-0668	
	add-on	00205-0988	00205-0978	00205-0968	
28	starter	00205-0690	00205-0680	00205-0670	
	add-on	00205-0990	00205-0980	00205-0970	

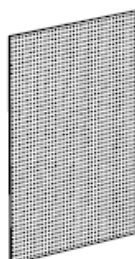
Back Panels for 51" Gondola

Painted Solid Backs



- 1/4" hardboard
- painted 1 side
- baked enamel

Painted Perforated Backs



- 1/4" hardboard
- painted 1 side
- baked enamel

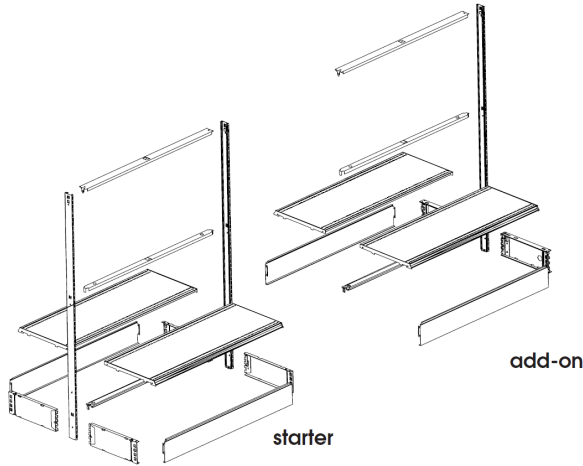
Painted Perf & Groove Backs



- 1/4" material
- 1/4" perforations
- Vertically 2" O.C.

Size	Part Number	Size	Part Number	Size	Part Number
48	08507-1232	48	08507-1332	48	08507-6078
36	08507-1222	36	08507-1322	36	08507-6067
30	08507-1212	30	08507-1312	30	08507-6056

Full Gondola • 56" High



Kits contain parts as shown on illustration
Order appropriate type of back panels

- Designate color for back panels
- Designate a color for standards and decks.
- Black (25) is standard for all base trim components
- Slatwall backs require slatwall tie bar, see page 43
- Leveler option, see page 42
- Standard colors Décor White (15) and Dove Gray (KM)
- See color chart for additional colors

Full Gondola • 56" High			48"	36"	30"
	deck depth	unit type	part number	part number	part number
	12	starter	00205-0732	00205-0722	00205-0712
		add-on	00205-1032	00205-1022	00205-1012
	14	starter	00205-0733	00205-0723	00205-0713
		add-on	00205-1033	00205-1023	00205-1013
	16	starter	00205-0734	00205-0724	00205-0714
		add-on	00205-1034	00205-1024	00205-1014
	18	starter	00205-0735	00205-0725	00205-0715
		add-on	00205-1035	00205-1025	00205-1015
	20	starter	00205-0736	00205-0726	00205-0716
		add-on	00205-1036	00205-1026	00205-1016
	22	starter	00205-0737	00205-0727	00205-0717
add-on		00205-1037	00205-1027	00205-1017	
24	starter	00205-0738	00205-0728	00205-0718	
	add-on	00205-1038	00205-1028	00205-1018	
28	starter	00205-0740	00205-0730	00205-0720	
	add-on	00205-1040	00205-1030	00205-1020	

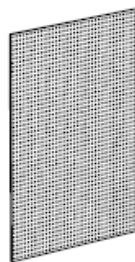
Back Panels for 56" Gondola

Painted Solid Backs



- 1/4" hardboard
- painted 1 side
- baked enamel

Painted Perforated Backs



- 1/4" hardboard
- painted 1 side
- baked enamel

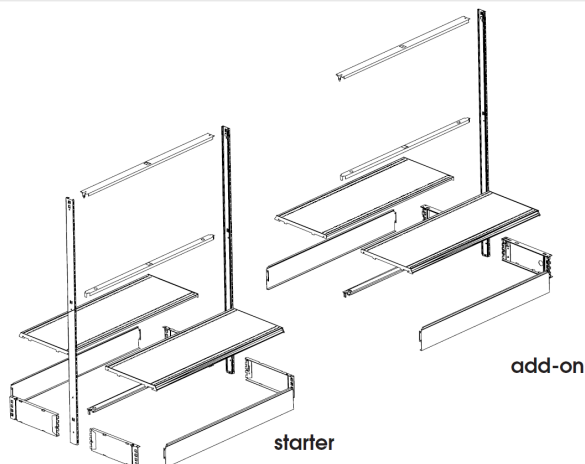
Painted Perf & Groove Backs



- 1/4" material
- 1/4" perforations
- Vertically 2" O.C.

Size	Part Number	Size	Part Number	Size	Part Number
48	08507-1234	48	08507-1334	48	08507-6079
36	08507-1224	36	08507-1324	36	08507-6068
30	08507-1214	30	08507-1314	30	08507-6057

Full Gondola • 61" High



Kits contain parts as shown on illustration

Order appropriate type of back panels

- Designate color for back panels
- Designate a color for standards and decks.
- Black (25) is standard for all base trim components
- Slatwall backs require slatwall tie bar, see page 43
- Leveler option, see page 42
- Standard colors Décor White (15) and Dove Gray (KM)
- See color chart for additional colors

Full Gondola • 61" High			48"	36"	30"
	deck depth	unit type	part number	part number	part number
	12	starter	00205-0782	00205-0772	00205-0762
		add-on	00205-1082	00205-1072	00205-1062
	14	starter	00205-0783	00205-0773	00205-0763
		add-on	00205-1083	00205-1073	00205-1063
	16	starter	00205-0784	00205-0774	00205-0764
		add-on	00205-1084	00205-1074	00205-1064
	18	starter	00205-0785	00205-0775	00205-0765
		add-on	00205-1085	00205-1075	00205-1065
	20	starter	00205-0786	00205-0776	00205-0766
		add-on	00205-1086	00205-1076	00205-1066
	22	starter	00205-0787	00205-0777	00205-0767
add-on		00205-1087	00205-1077	00205-1067	
24	starter	00205-0788	00205-0778	00205-0768	
	add-on	00205-1088	00205-1078	00205-1068	
28	starter	00205-0790	00205-0780	00205-0770	
	add-on	00205-1090	00205-1080	00205-1070	

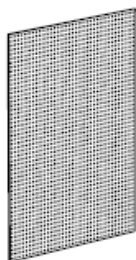
Back Panels for 61" Gondola

Painted Solid Backs



- 1/4" hardboard
- painted 1 side
- baked enamel

Painted Perforated Backs



- 1/4" hardboard
- painted 1 side
- baked enamel

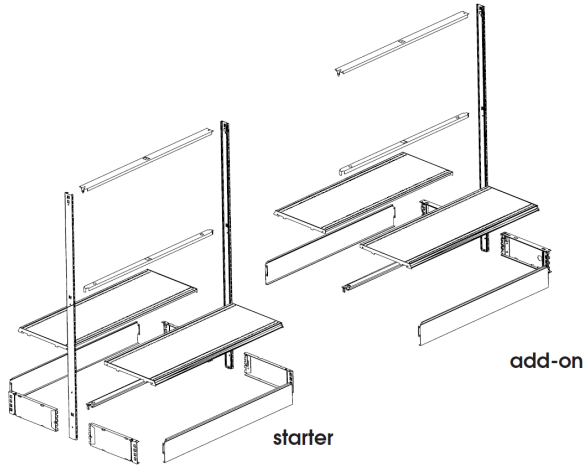
Painted Perf & Groove Backs



- 1/4" material
- 1/4" perforations
- Vertically 2" O.C.

Size	Part Number	Size	Part Number	Size	Part Number
48	08507-1235	48	08507-1335	48	08507-6081
36	08507-1225	36	08507-1325	36	08507-6070
30	08507-1215	30	08507-1315	30	08507-6059

Full Gondola • 66" High



Kits contain parts as shown on illustration
Order appropriate type of back panels

- Designate color for back panels
- Designate a color for standards and decks.
- Black (25) is standard for all base trim components
- Slatwall backs require slatwall tie bar, see page 43
- Leveler option, see page 42
- Standard colors Décor White (15) and Dove Gray (KM)
- See color chart for additional colors

Full Gondola • 66" High			48"	36"	30"
	deck depth	unit type	part number	part number	part number
	12	starter	00205-0832	00205-0822	00205-0812
		add-on	00205-1132	00205-1122	00205-1112
	14	starter	00205-0833	00205-0823	00205-0813
		add-on	00205-1133	00205-1123	00205-1113
	16	starter	00205-0834	00205-0824	00205-0814
		add-on	00205-1134	00205-1124	00205-1114
	18	starter	00205-0835	00205-0825	00205-0815
		add-on	00205-1135	00205-1125	00205-1115
	20	starter	00205-0836	00205-0826	00205-0816
		add-on	00205-1136	00205-1126	00205-1116
	22	starter	00205-0837	00205-0827	00205-0817
add-on		00205-1137	00205-1127	00205-1117	
24	starter	00205-0838	00205-0828	00205-0818	
	add-on	00205-1138	00205-1128	00205-1118	
28	starter	00205-0840	00205-0830	00205-0820	
	add-on	00205-1140	00205-1130	00205-1120	

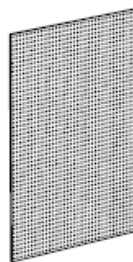
Back Panels for 66" Gondola

Painted Solid Backs



- 1/4" hardboard
- painted 1 side
- baked enamel

Painted Perforated Backs



- 1/4" hardboard
- painted 1 side
- baked enamel

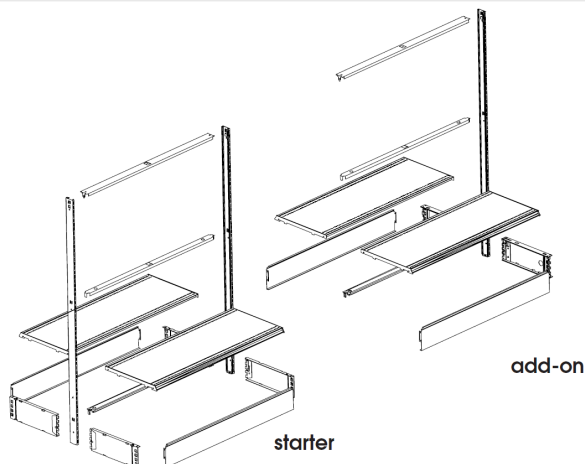
Painted Perf & Groove Backs



- Split panel
- Clear H channel included
- 1/4" material
- 1/4" perforations
- Vertically 2" O.C.

Size	Part Number	Size	Part Number	Size	Part Number
48	08507-1236	48	08507-1336	48	08507-6082S
36	08507-1226	36	08507-1326	36	08507-6071S
30	08507-1216	30	08507-1316	30	08507-6060S

Full Gondola • 71" High



Kits contain parts as shown on illustration

Order appropriate type of back panels

- Designate color for back panels
- Designate a color for standards and decks.
- Black (25) is standard for all base trim components
- Slatwall backs require slatwall tie bar, see page 43
- Leveler option, see page 42
- Standard colors Décor White (15) and Dove Gray (KM)
- See color chart for additional colors

Full Gondola • 71" High			48"	36"	30"
	deck depth	unit type	part number	part number	part number
	12	starter	00205-0882	00205-0872	00205-0862
		add-on	00205-1182	00205-1172	00205-1162
	14	starter	00205-0883	00205-0873	00205-0863
		add-on	00205-1183	00205-1173	00205-1163
	16	starter	00205-0884	00205-0874	00205-0864
		add-on	00205-1184	00205-1174	00205-1164
	18	starter	00205-0885	00205-0875	00205-0865
		add-on	00205-1185	00205-1175	00205-1165
	20	starter	00205-0886	00205-0876	00205-0866
		add-on	00205-1186	00205-1176	00205-1166
	22	starter	00205-0887	00205-0877	00205-0867
add-on		00205-1187	00205-1177	00205-1167	
24	starter	00205-0888	00205-0878	00205-0868	
	add-on	00205-1188	00205-1178	00205-1168	
28	starter	00205-0890	00205-0880	00205-0870	
	add-on	00205-1190	00205-1180	00205-1170	

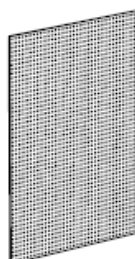
Back Panels for 71" Gondola

Painted Solid Backs



- 1/4" hardboard
- painted 1 side
- baked enamel

Painted Perforated Backs



- 1/4" hardboard
- painted 1 side
- baked enamel

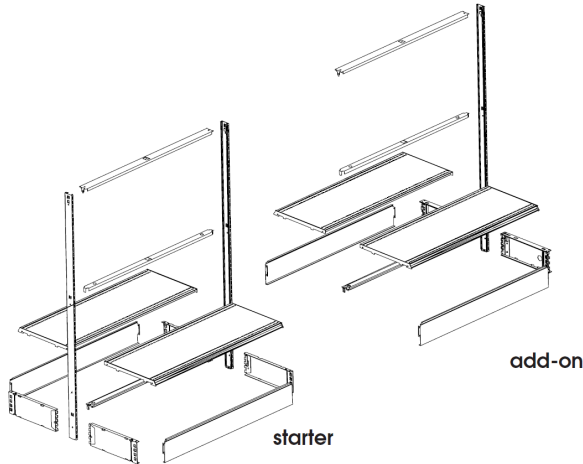
Painted Perf & Groove Backs



- Split panel
- Clear H channel included
- 1/4" material
- 1/4" perforations
- Vertically 2" O.C.

Size	Part Number	Size	Part Number	Size	Part Number
48	08507-1237	48	08507-1337	48	01000-4096S
36	08507-1227	36	08507-1327	36	01000-4092S
30	08507-1217	30	08507-1317	30	01000-4088S

Full Gondola • 78" High



Kits contain parts as shown on illustration
Order appropriate type of back panels

- Designate color for back panels
- Designate a color for standards and decks.
- Black (25) is standard for all base trim components
- Slatwall backs require slatwall tie bar, see page 43
- Leveler option, see page 42
- Standard colors Décor White (15) and Dove Gray (KM)
- See color chart for additional colors

Full Gondola • 78" High

		48"	36"	30"
deck depth	unit type	part number	part number	part number
12	starter	00205-1765	00205-1756	00205-1792
	add-on	00205-1783	00205-1774	00205-1796
14	starter	00205-1766	00205-1757	00205-1793
	add-on	00205-1784	00205-1775	00205-1797
16	starter	00205-1767	00205-1758	N/A
	add-on	00205-1785	00205-1776	N/A
18	starter	00205-1768	00205-1759	00205-1794
	add-on	00205-1786	00205-1777	00205-1798
20	starter	00205-1769	00205-1760	00205-1795
	add-on	00205-1787	00205-1778	00205-1799
22	starter	00205-1770	00205-1761	N/A
	add-on	00205-1788	00205-1779	N/A
24	starter	00205-1771	00205-1762	N/A
	add-on	00205-1789	00205-1780	N/A
28	starter	00205-1773	00205-1764	N/A
	add-on	00205-1791	00205-1782	N/A

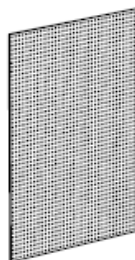
Back Panels for 78" Gondola

Painted Solid Backs



- 1/4" hardboard
- painted 1 side
- baked enamel

Painted Perforated Backs



- 1/4" hardboard
- painted 1 side
- baked enamel

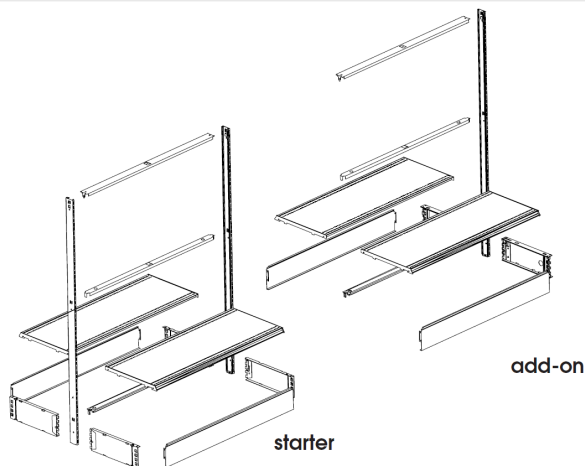
Painted Perf & Groove Backs



- Split panel
- Clear H channel included
- 1/4" material
- 1/4" perforations
- Vertically 2" O.C.

Size	Part Number	Size	Part Number	Size	Part Number
48	08507-0429	48	08507-8448	48	01000-4100S
36	08507-0269	36	08507-5858	36	01000-4099S
30	08507-1219	30	08507-1319	30	01000-4091S

Full Gondola • 86" High



Kits contain parts as shown on illustration
Order appropriate type of back panels

- Designate color for back panels
- Designate a color for standards and decks.
- Black (25) is standard for all base trim components
- Slatwall backs require slatwall tie bar, see page 43
- Leveler option, see page 42
- Standard colors Décor White (15) and Dove Gray (KM)
- See color chart for additional colors

Full Gondola • 86" High			48"	36"	30"
	deck depth	unit type	part number	part number	part number
	12	starter	00205-0922	00205-0912	00205-0802
		add-on	00205-1232	00205-1202	00205-1192
	14	starter	00205-0923	00205-0913	00205-0803
		add-on	00205-1233	00205-1203	00205-1193
	16	starter	00205-0924	00205-0914	00205-0804
		add-on	00205-1234	00205-1204	00205-1194
	18	starter	00205-0925	00205-0915	00205-0805
		add-on	00205-1235	00205-1205	00205-1195
20	starter	00205-0926	00205-0916	00205-0806	
	add-on	00205-1236	00205-1206	00205-1196	
22	starter	00205-0927	00205-0917	00205-0807	
	add-on	00205-1237	00205-1207	00205-1197	
24	starter	00205-0928	00205-0918	00205-0808	
	add-on	00205-1238	00205-1208	00205-1198	
28	starter	00205-0930	00205-0920	00205-0910	
	add-on	00205-1240	00205-1230	00205-1200	

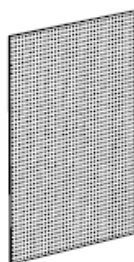
Back Panels for 86" Gondola

Painted Solid Backs



- 1/4" hardboard
- painted 1 side
- baked enamel

Painted Perforated Backs



- 1/4" hardboard
- painted 1 side
- baked enamel

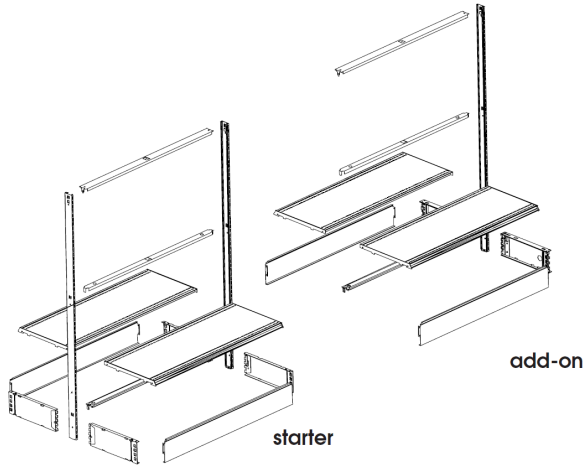
Painted Perf & Groove Backs



- Split panel
- Clear H channel included
- 1/4" material
- 1/4" perforations
- Vertically 2" O.C.

Size	Part Number	Size	Part Number	Size	Part Number
48	08507-1238	48	08507-1338	48	01000-4097S
36	08507-1228	36	08507-1328	36	01000-4093S
30	08507-1218	30	08507-1318	30	01000-4089S

Full Gondola • 96" High



Kits contain parts as shown on illustration
Order appropriate type of back panels
Back panels are a 61" / 35" split with an H channel

- Designate color for back panels
- Designate a color for standards and decks.
- Black (25) is standard for all base trim components
- Slatwall backs require slatwall tie bar, see page 43
- Leveler option, see page 42
- (15) and Dove Gray (KM)
- See color chart for additional colors

Full Gondola • 96" High	deck depth	unit type	48"	36"	30"
			part number	part number	part number
12	starter	00205-0952	00205-0942	00205-0932	
	add-on	00205-1262	00205-1252	00205-1242	
14	starter	00205-0953	00205-0943	00205-0933	
	add-on	00205-1263	00205-1253	00205-1243	
16	starter	00205-0954	00205-0944	00205-0934	
	add-on	00205-1264	00205-1254	00205-1244	
18	starter	00205-0955	00205-0945	00205-0935	
	add-on	00205-1265	00205-1255	00205-1245	
20	starter	00205-0956	00205-0946	00205-0936	
	add-on	00205-1266	00205-1256	00205-1246	
22	starter	00205-0957	00205-0947	00205-0937	
	add-on	00205-1267	00205-1257	00205-1247	
24	starter	00205-0958	00205-0948	00205-0938	
	add-on	00205-1268	00205-1258	00205-1248	
28	starter	00205-0960	00205-0950	00205-0940	
	add-on	00205-1270	00205-1260	00205-1250	

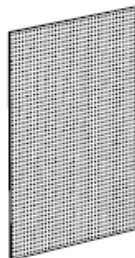
Back Panels for 96" Gondola

Painted Solid Backs



- Split panel
- Clear H channel included
- 1/4" hardboard
- painted 1 side
- baked enamel

Painted Perforated Backs



- Split panel
- Clear H channel included
- 1/4" hardboard
- painted 1 side
- baked enamel

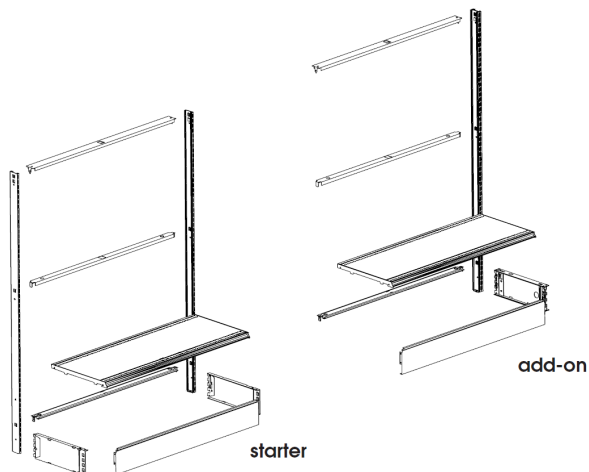
Painted Perf & Groove Backs



- Split panel
- Clear H channel included
- 1/4" material
- 1/4" perforations
- Vertically 2" O.C.

Size	Part Number	Size	Part Number	Size	Part Number
48	08507-1240S	48	08507-1340S	48	01000-4098S
36	08507-1230S	36	08507-1330S	36	01000-4094S
30	08507-1220S	30	08507-1320S	30	01000-4090S

Half Gondola • 38" High



Kits contain parts as shown on illustration

Order appropriate type of back panels

- Designate color for back panels
- Designate a color for standards and decks.
- Black (25) is standard for all base trim components
- Slatwall backs require slatwall tie bar, see page 43
- Leveler option, see page 42
- Standard colors Décor White (15) and Dove Gray (KM)
- See color chart for additional colors

Half Gondola • 38" High			48"	36"	30"
	deck depth	unit type	part number	part number	part number
	12	starter	00205-1302	00205-1292	00205-1282
		add-on	00205-1352	00205-1342	00205-1332
	14	starter	00205-1303	00205-1293	00205-1283
		add-on	00205-1353	00205-1343	00205-1333
	16	starter	00205-1304	00205-1294	00205-1284
		add-on	00205-1354	00205-1344	00205-1334
	18	starter	00205-1305	00205-1295	00205-1285
		add-on	00205-1355	00205-1345	00205-1335
	20	starter	00205-1306	00205-1296	00205-1286
		add-on	00205-1356	00205-1346	00205-1336
	22	starter	00205-1307	00205-1297	00205-1287
add-on		00205-1357	00205-1347	00205-1337	
24	starter	00205-1308	00205-1298	00205-1288	
	add-on	00205-1358	00205-1348	00205-1338	
28	starter	00205-1310	00205-1300	00205-1290	
	add-on	00205-1360	00205-1350	00205-1340	

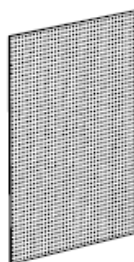
Back Panels for 38" Half Gondola

Painted Solid Backs



- 1/4" hardboard
- painted 1 side
- baked enamel

Painted Perforated Backs



- 1/4" hardboard
- painted 1 side
- baked enamel

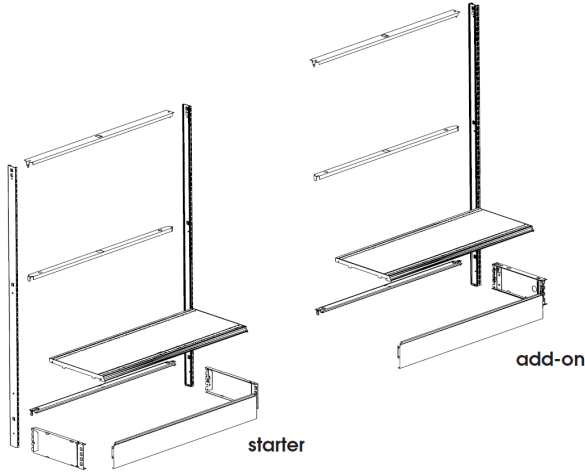
Painted Perf & Groove Backs



- 1/4" material
- 1/4" perforations
- Vertically 2" O.C.

Size	Part Number	Size	Part Number	Size	Part Number
48	08507-1281	48	08507-1381	48	08507-6076
36	08507-1272	36	08507-1372	36	08507-6065
30	08507-1263	30	08507-1363	30	08507-6054

Half Gondola • 51" High



Kits contain parts as shown on illustration

Order appropriate type of back panels

- Designate color for back panels
- Designate a color for standards and decks.
- Black (25) is standard for all base trim components
- Slatwall backs require slatwall tie bar, see page 43
- Leveler option, see page 42
- Standard colors Décor White (15) and Dove Gray (KM)
- See color chart for additional colors

Half Gondola • 51" High			48"	36"	30"
	deck depth	unit type	part number	part number	part number
	12	starter add-on	00205-0082 00205-0382	00205-0072 00205-0372	00205-0062 00205-0362
	14	starter add-on	00205-0083 00205-0383	00205-0073 00205-0373	00205-0063 00205-0363
	16	starter add-on	00205-0084 00205-0384	00205-0074 00205-0374	00205-0064 00205-0364
	18	starter add-on	00205-0085 00205-0385	00205-0075 00205-0375	00205-0065 00205-0365
	20	starter add-on	00205-0086 00205-0386	00205-0076 00205-0376	00205-0066 00205-0366
	22	starter add-on	00205-0087 00205-0387	00205-0077 00205-0377	00205-0067 00205-0367
	24	starter add-on	00205-0088 00205-0388	00205-0078 00205-0378	00205-0068 00205-0368
	28	starter add-on	00205-0090 00205-0390	00205-0080 00205-0380	00205-0070 00205-0370

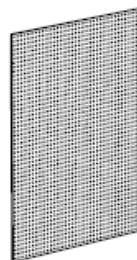
Back Panels for 51" Half Gondola

Painted Solid Backs



- 1/4" hardboard
- painted 1 side
- baked enamel

Painted Perforated Backs



- 1/4" hardboard
- painted 1 side
- baked enamel

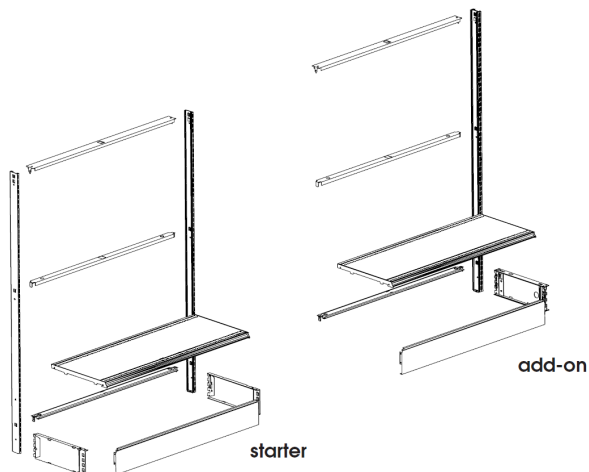
Painted Perf & Groove Backs



- 1/4" material
- 1/4" perforations
- Vertically 2" O.C.

Size	Part Number	Size	Part Number	Size	Part Number
48	08507-1232	48	08507-1332	48	08507-6078
36	08507-1222	36	08507-1322	36	08507-6067
30	08507-1212	30	08507-1312	30	08507-6056

Half Gondola • 56" High



Kits contain parts as shown on illustration
Order appropriate type of back panels

- Designate color for back panels
- Designate a color for standards and decks.
- Black (25) is standard for all base trim components
- Slatwall backs require slatwall tie bar, see page 43
- Leveler option, see page 42
- Standard colors Décor White (15) and Dove Gray (KM)
- See color chart for additional colors

Half Gondola • 56" High			48"	36"	30"
	deck depth	unit type	part number	part number	part number
	12	starter	00205-0132	00205-0122	00205-0112
		add-on	00205-0432	00205-0422	00205-0412
	14	starter	00205-0133	00205-0123	00205-0113
		add-on	00205-0433	00205-0423	00205-0413
	16	starter	00205-0134	00205-0124	00205-0114
		add-on	00205-0434	00205-0424	00205-0414
	18	starter	00205-0135	00205-0125	00205-0115
		add-on	00205-0435	00205-0425	00205-0415
	20	starter	00205-0136	00205-0126	00205-0116
		add-on	00205-0436	00205-0426	00205-0416
	22	starter	00205-0137	00205-0127	00205-0117
add-on		00205-0437	00205-0427	00205-0417	
24	starter	00205-0138	00205-0128	00205-0118	
	add-on	00205-0438	00205-0428	00205-0418	
28	starter	00205-0140	00205-0130	00205-0120	
	add-on	00205-0440	00205-0430	00205-0420	

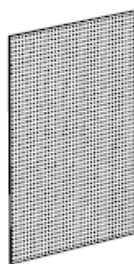
Back Panels for 56" Half Gondola

Painted Solid Backs



- 1/4" hardboard
- painted 1 side
- baked enamel

Painted Perforated Backs



- 1/4" hardboard
- painted 1 side
- baked enamel

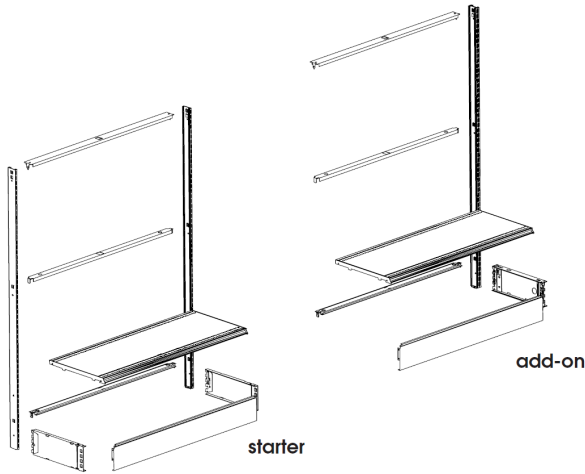
Painted Perf & Groove Backs



- 1/4" material
- 1/4" perforations
- Vertically 2" O.C.

Size	Part Number	Size	Part Number	Size	Part Number
48	08507-1234	48	08507-1334	48	08507-6079
36	08507-1224	36	08507-1324	36	08507-6068
30	08507-1214	30	08507-1314	30	08507-6057

Half Gondola • 61" High



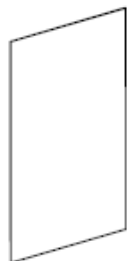
Kits contain parts as shown on illustration
Order appropriate type of back panels

- Designate color for back panels
- Designate a color for standards and decks.
- Black (25) is standard for all base trim components
- Slatwall backs require slatwall tie bar, see page 43
- Leveler option, see page 42
- Standard colors Décor White (15) and Dove Gray (KM)
- See color chart for additional colors

Half Gondola • 61" High			48"	36"	30"
	deck depth	unit type	part number	part number	part number
	12	starter	00205-0182	00205-0172	00205-0162
		add-on	00205-0482	00205-0472	00205-0462
	14	starter	00205-0183	00205-0173	00205-0163
		add-on	00205-0483	00205-0473	00205-0463
	16	starter	00205-0184	00205-0174	00205-0164
		add-on	00205-0484	00205-0474	00205-0464
	18	starter	00205-0185	00205-0175	00205-0165
		add-on	00205-0485	00205-0475	00205-0465
	20	starter	00205-0186	00205-0176	00205-0166
		add-on	00205-0486	00205-0476	00205-0466
	22	starter	00205-0187	00205-0177	00205-0167
add-on		00205-0487	00205-0477	00205-0467	
24	starter	00205-0188	00205-0178	00205-0168	
	add-on	00205-0488	00205-0478	00205-0468	
28	starter	00205-0190	00205-0180	00205-0170	
	add-on	00205-0490	00205-0480	00205-0470	

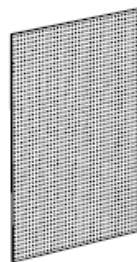
Back Panels for 61" Half Gondola

Painted Solid Backs



- 1/4" hardboard
- painted 1 side
- baked enamel

Painted Perforated Backs



- 1/4" hardboard
- painted 1 side
- baked enamel

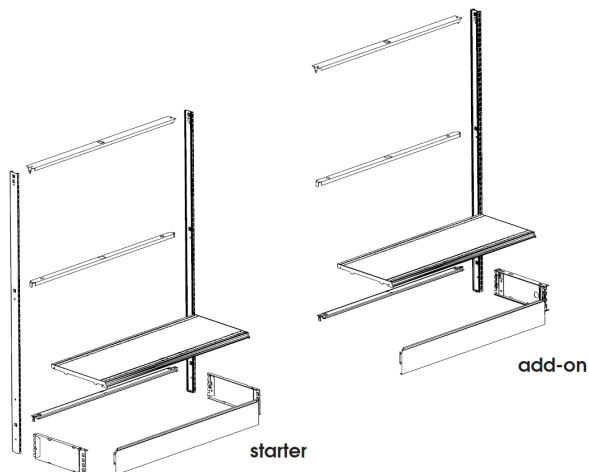
Painted Perf & Groove Backs



- 1/4" material
- 1/4" perforations
- Vertically 2" O.C.

Size	Part Number	Size	Part Number	Size	Part Number
48	08507-1235	48	08507-1335	48	08507-6081
36	08507-1225	36	08507-1325	36	08507-6070
30	08507-1215	30	08507-1315	30	08507-6059

Half Gondola • 66" High



Kits contain parts as shown on illustration
Order appropriate type of back panels

- Designate color for back panels
- Designate a color for standards and decks.
- Black (25) is standard for all base trim components
- Slatwall backs require slatwall tie bar, see page 43
- Leveler option, see page 42
- Standard colors Décor White (15) and Dove Gray (KM)
- See color chart for additional colors

Half Gondola • 66" High			48"	36"	30"
	deck depth	unit type	part number	part number	part number
	12	starter	00205-0232	00205-0222	00205-0212
		add-on	00205-0532	00205-0522	00205-0512
	14	starter	00205-0233	00205-0223	00205-0213
		add-on	00205-0533	00205-0523	00205-0513
	16	starter	00205-0234	00205-0224	00205-0214
		add-on	00205-0534	00205-0524	00205-0514
	18	starter	00205-0235	00205-0225	00205-0215
		add-on	00205-0535	00205-0525	00205-0515
	20	starter	00205-0236	00205-0226	00205-0216
		add-on	00205-0536	00205-0526	00205-0516
	22	starter	00205-0237	00205-0227	00205-0217
add-on		00205-0537	00205-0527	00205-0517	
24	starter	00205-0238	00205-0228	00205-0218	
	add-on	00205-0538	00205-0528	00205-0518	
28	starter	00205-0240	00205-0230	00205-0220	
	add-on	00205-0540	00205-0530	00205-0520	

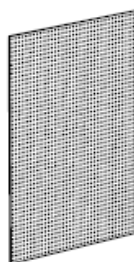
Back Panels for 66" Half Gondola

Painted Solid Backs



- 1/4" hardboard
- painted 1 side
- baked enamel

Painted Perforated Backs



- 1/4" hardboard
- painted 1 side
- baked enamel

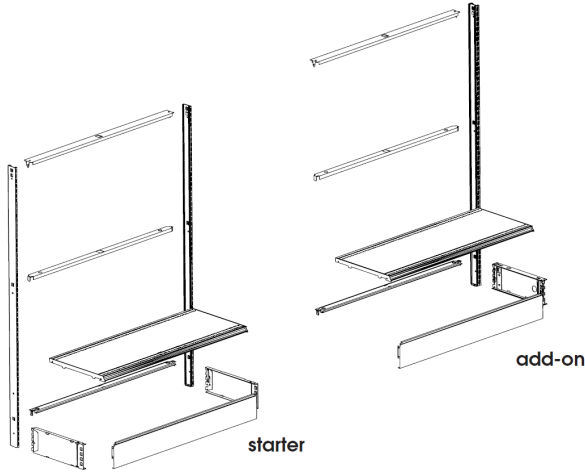
Painted Perf & Groove Backs



- Split panel
- Clear H channel included
- 1/4" material
- 1/4" perforations
- Vertically 2" O.C.

Size	Part Number	Size	Part Number	Size	Part Number
48	08507-1236	48	08507-1336	48	08507-6082S
36	08507-1226	36	08507-1326	36	08507-6071S
30	08507-1216	30	08507-1316	30	08507-6060S

Half Gondola • 71" High



Kits contain parts as shown on illustration

Order appropriate type of back panels

- Designate color for back panels
- Designate a color for standards and decks.
- Black (25) is standard for all base trim components
- Slatwall backs require slatwall tie bar, see page 43
- Leveler option, see page 42
- Standard colors Décor White (15) and Dove Gray (KM)
- See color chart for additional colors

Half Gondola • 71" High			48"	36"	30"
	deck depth	unit type	part number	part number	part number
	12	starter	00205-0282	00205-0272	00205-0262
		add-on	00205-0582	00205-0572	00205-0562
	14	starter	00205-0283	00205-0273	00205-0263
		add-on	00205-0583	00205-0573	00205-0563
	16	starter	00205-0284	00205-0274	00205-0264
		add-on	00205-0584	00205-0574	00205-0564
	18	starter	00205-0285	00205-0275	00205-0265
		add-on	00205-0585	00205-0575	00205-0565
	20	starter	00205-0286	00205-0276	00205-0266
		add-on	00205-0586	00205-0576	00205-0566
	22	starter	00205-0287	00205-0277	00205-0267
add-on		00205-0587	00205-0577	00205-0567	
24	starter	00205-0288	00205-0278	00205-0268	
	add-on	00205-0588	00205-0578	00205-0568	
28	starter	00205-0290	00205-0280	00205-0270	
	add-on	00205-0590	00205-0580	00205-0570	

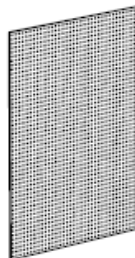
Back Panels for 71" Half Gondola

Painted Solid Backs



- 1/4" hardboard
- painted 1 side
- baked enamel

Painted Perforated Backs



- 1/4" hardboard
- painted 1 side
- baked enamel

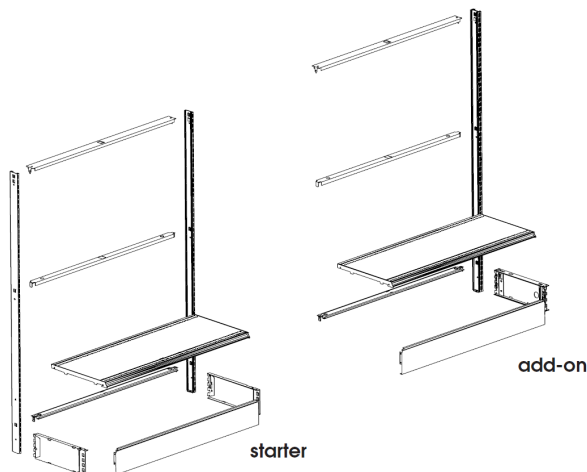
Painted Perf & Groove Backs



- Split panel
- Clear H channel included
- 1/4" material
- 1/4" perforations
- Vertically 2" O.C.

Size	Part Number	Size	Part Number	Size	Part Number
48	08507-1237	48	08507-1337	48	01000-4096S
36	08507-1227	36	08507-1327	36	01000-4092S
30	08507-1217	30	08507-1317	30	01000-4088S

Half Gondola • 78" High



Kits contain parts as shown on illustration

Order appropriate type of back panels

- Designate color for back panels
- Designate a color for standards and decks.
- Black (25) is standard for all base trim components
- Slatwall backs require slatwall tie bar, see page 43
- Leveler option, see page 42
- Standard colors Décor White (15) and Dove Gray (KM)
- See color chart for additional colors

Half Gondola • 78" High			48"	36"	30"
	deck depth	unit type	part number	part number	part number
	12	starter	00205-1729	00205-1720	00205-1710
		add-on	00205-1747	00205-1738	00205-1727
	14	starter	00205-1730	00205-1721	00205-1711
		add-on	00205-1748	00205-1739	00205-1729
	16	starter	00205-1731	00205-1722	N/A
		add-on	00205-1749	00205-1740	N/A
	18	starter	00205-1732	00205-1723	00205-1713
		add-on	00205-1750	00205-1741	00205-1731
	20	starter	00205-1733	00205-1724	00205-1714
		add-on	00205-1751	00205-1742	00205-1732
	22	starter	00205-1734	00205-1725	N/A
add-on		00205-1752	00205-1743	N/A	
24	starter	00205-1735	00205-1726	N/A	
	add-on	00205-1753	00205-1744	N/A	
28	starter	00205-1737	00205-1728	N/A	
	add-on	00205-1755	00205-1746	N/A	

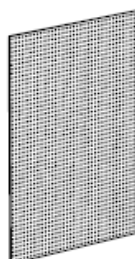
Back Panels for 78" Half Gondola

Painted Solid Backs



- 1/4" hardboard
- painted 1 side
- baked enamel

Painted Perforated Backs



- 1/4" hardboard
- painted 1 side
- baked enamel

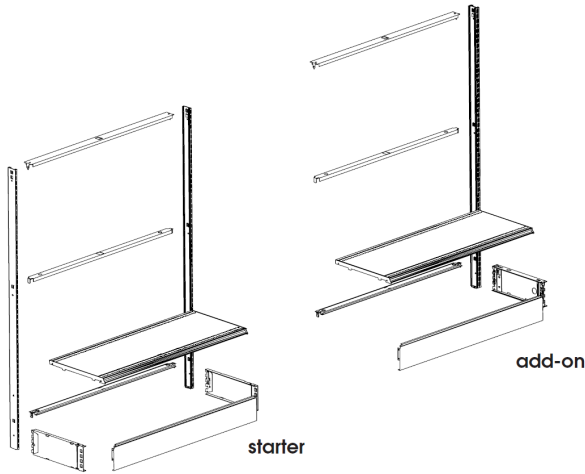
Painted Perf & Groove Backs



- Split panel
- Clear H channel included
- 1/4" material
- 1/4" perforations
- Vertically 2" O.C.

Size	Part Number	Size	Part Number	Size	Part Number
48	08507-0429	48	08507-8448	48	01000-4100S
36	08507-0269	36	08507-5858	36	01000-4099S
30	08507-1219	30	08507-1319	30	01000-4091S

Wallcase • 86" High



Kits contain parts as shown on illustration
Order appropriate type of back panels

- Designate color for back panels
- Designate a color for standards and decks.
- Black (25) is standard for all base trim components
- Slatwall backs require slatwall tie bar, see page 43
- Leveler option, see page 42
- Standard colors Décor White (15) and Dove Gray (KM)
- See color chart for additional colors

Wallcase • 86" High	deck depth	unit type	48"	36"	30"
			part number	part number	part number
12	starter		00105-0032	00105-0022	00105-0012
	add-on		00105-0182	00105-0172	00105-0162
14	starter		00105-0033	00105-0023	00105-0013
	add-on		00105-0183	00105-0173	00105-0163
16	starter		00105-0034	00105-0024	00105-0014
	add-on		00105-0184	00105-0174	00105-0164
18	starter		00105-0035	00105-0025	00105-0015
	add-on		00105-0185	00105-0175	00105-0165
20	starter		00105-0036	00105-0026	00105-0016
	add-on		00105-0186	00105-0176	00105-0166
22	starter		00105-0037	00105-0027	00105-0017
	add-on		00105-0187	00105-0177	00105-0167
24	starter		00105-0038	00105-0028	00105-0018
	add-on		00105-0188	00105-0178	00105-0168
28	starter		00105-0040	00105-0030	00105-0020
	add-on		00105-0190	00105-0180	00105-0170

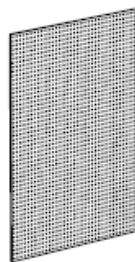
Back Panels for 86" Wallcase

Painted Solid Backs



- 1/4" hardboard
- painted 1 side
- baked enamel

Painted Perforated Backs



- 1/4" hardboard
- painted 1 side
- baked enamel

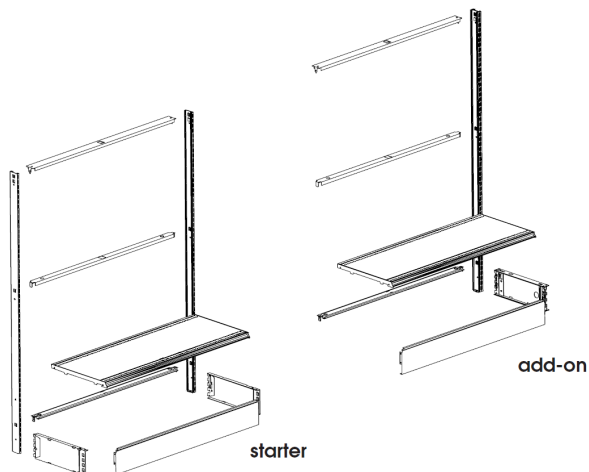
Painted Perf & Groove Backs



- Split panel
- Clear H channel included
- 1/4" material
- 1/4" perforations
- Vertically 2" O.C.

Size	Part Number	Size	Part Number	Size	Part Number
48	08507-1238	48	08507-1338	48	01000-4097S
36	08507-1228	36	08507-1328	36	01000-4093S
30	08507-1218	30	08507-1318	30	01000-4089S

Wallcase • 96" High



Kits contain parts as shown on illustration
 Order appropriate type of back panels
 Back panels are a 61" / 35" split with an H channel

- Designate color for back panels
- Designate a color for standards and decks.
- Black (25) is standard for all base trim components
- Slatwall backs require slatwall tie bar, see page 43
- Leveler option, see page 42
- Standard colors Décor White (15) and Dove Gray (KM)
- See color chart for additional colors

Wallcase • 96" High			48"	36"	30"
	deck depth	unit type	part number	part number	part number
	12	starter	00105-0082	00105-0072	00105-0062
		add-on	00105-0232	00105-0222	00105-0212
	14	starter	00105-0083	00105-0073	00105-0063
		add-on	00105-0233	00105-0223	00105-0213
	16	starter	00105-0084	00105-0074	00105-0064
		add-on	00105-0234	00105-0224	00105-0214
	18	starter	00105-0085	00105-0075	00105-0065
		add-on	00105-0235	00105-0225	00105-0215
	20	starter	00105-0086	00105-0076	00105-0066
		add-on	00105-0236	00105-0226	00105-0216
	22	starter	00105-0087	00105-0077	00105-0067
	add-on	00105-0237	00105-0227	00105-0217	
24	starter	00105-0088	00105-0078	00105-0068	
	add-on	00105-0238	00105-0228	00105-0218	
28	starter	00105-0090	00105-0080	00105-0070	
	add-on	00105-0240	00105-0230	00105-0220	

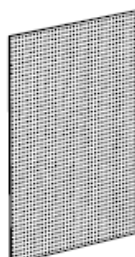
Back Panels for 96" Wallcase

Painted Solid Backs



- Split panel
- Clear H channel included
- 1/4" hardboard
- painted 1 side
- baked enamel

Painted Perforated Backs



- Split panel
- Clear H channel included
- 1/4" hardboard
- painted 1 side
- baked enamel

Painted Perf & Groove Backs



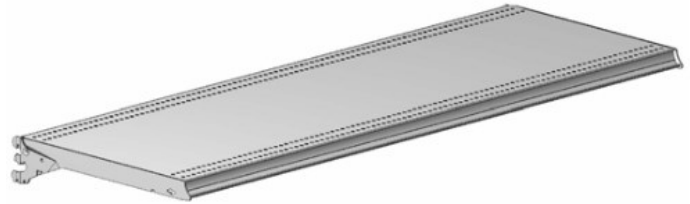
- Split panel
- Clear H channel included
- 1/4" material
- 1/4" perforations
- Vertically 2" O.C.

Size	Part Number	Size	Part Number	Size	Part Number
48	08507-1240S	48	08507-1340S	48	01000-4098S
36	08507-1230S	36	08507-1330S	36	01000-4094S
30	08507-1220S	30	08507-1320S	30	01000-4090S

Shelves

Shelves

Size	Width	Part Number
10	30	01346-1030
12	30	01346-1230
14	30	01346-1430
16	30	01346-1630
18	30	01346-1830
10	36	01346-1036
12	36	01346-1236
14	36	01346-1436
16	36	01346-1636
18	36	01346-1836
20	36	01346-2036
22	36	01346-2236
10	48	01346-1048
12	48	01346-1248
14	48	01346-1448
16	48	01346-1648
18	48	01346-1848
20	48	01346-2048
22	48	01346-2248

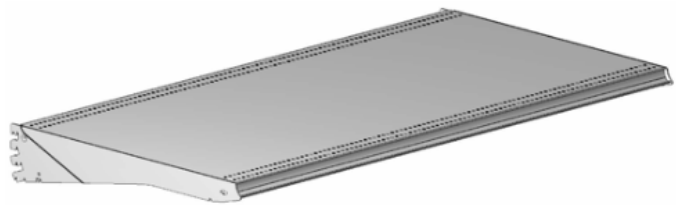


- One piece shelf pan with 1-1/4" ticket molding
- 4-position brackets, 12° up slant, level, 15° & 30° down slant
- 1/2" Double row perforations 1" on center front and rear
- Textured steel
- Standard colors Décor White (15) and Dove Gray (KM)
- See color chart for additional colors

Load Limits (lbs.)			
Shelf Depth	30"	36"	48"
10	350	400	400
12	500	500	500
14	500	500	500
16	500	500	500
18	500	500	500
20	-	400	400
22	-	350	350

Size	Width	Part Number
22	36	01347-2236
24	36	01347-2436
28	36	01347-2836
22	48	01347-2248
24	48	01347-2448
28	48	01347-2848

Heavy Duty Shelf



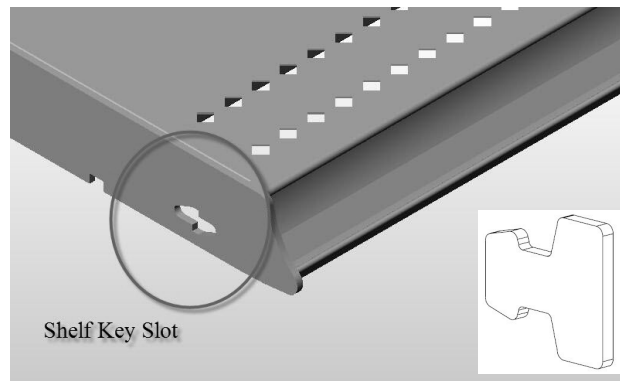
- One piece shelf pan with 1-1/4" ticket molding
- Two-position brackets, level, 20° down slant
- 1/2" Double row perforations 1" on center front and rear
- Textured steel
- Standard colors Décor White and Dove Gray
- See color chart for additional colors

Load Limits (lbs.)		
Shelf Depth	36"	48"
22	600	600
24	600	600
28	600	600

Shelves

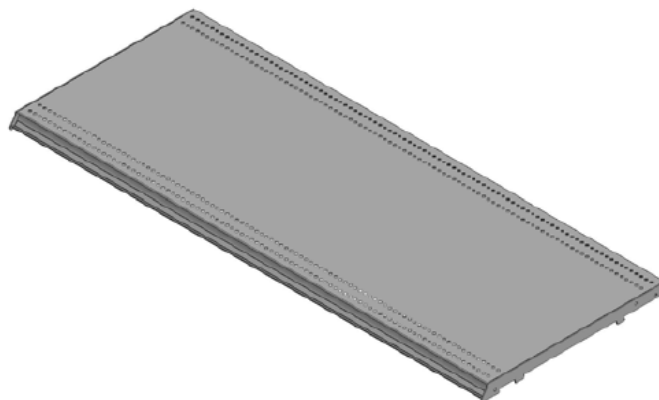
Upper Shelf Key

Size	Part Number
N/A	08410002782
<ul style="list-style-type: none"> Shelf key locks adjacent upper shelves together Optional accessory for heavy loaded shelves Inserts into bracket slot of upper shelf through adjacent shelf and twists into place Stainless steel finish 	



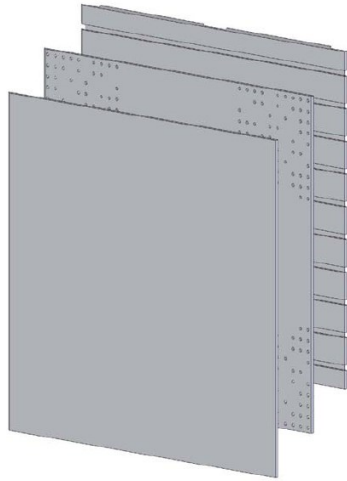
Deck

Size	Width	Part Number
12	30	01358-1230
14	30	01358-1430
18	30	01358-1830
20	30	01358-2030
22	30	01358-2230
24	30	01358-2430
28	30	01358-2830
12	36	01358-1236
14	36	01358-1436
16	36	01358-1636
18	36	01358-1836
20	36	01358-2036
22	36	01358-2236
24	36	01358-2436
28	36	01358-2836
12	48	01358-1248
14	48	01358-1448
16	48	01358-1648
18	48	01358-1848
20	48	01358-2048
22	48	01358-2248
24	48	01358-2448
28	48	01358-2848

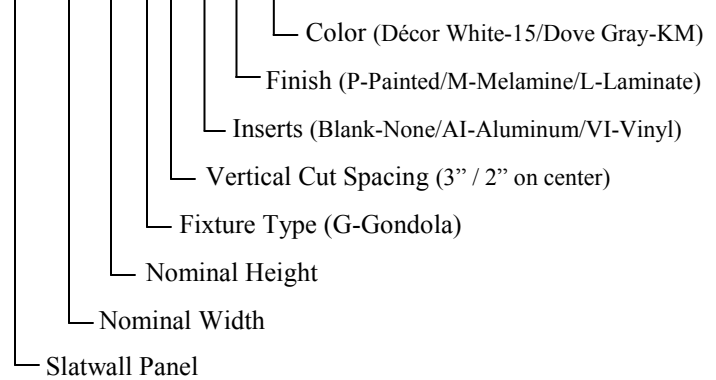


- Recommended evenly distributed load capacity:
600# - 12" thru 22"
800# - 24" thru 28"
- Formed tag molding on front edge
- 1/2" Double row perforations 1" on center front and rear
- Standard colors Décor White (15) and Dove Gray (KM)
- See color chart for additional colors

Painted Slatwall Back Panels



SW 30 51 G 3 AI P 15



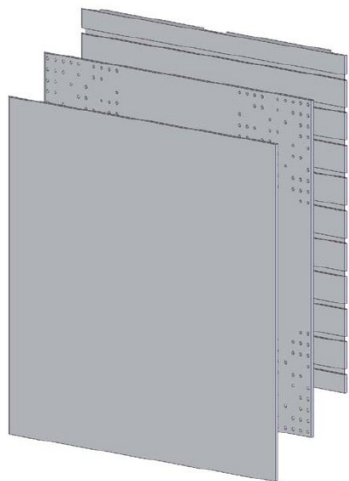
Painted Slatwall Back Panels		
Width	Height	Part Number
30	38	SW3038G3P(Color)
30	51	SW3051G3P(Color)
30	56	SW3056G3P(Color)
30	61	SW3061G3P(Color)
30	66	SW3066G3P(Color)
30	71	SW3071G3P(Color)
30	86	SW3086G3P(Color)
36	38	SW3638G3P(Color)
36	51	SW3651G3P(Color)
36	56	SW3656G3P(Color)
36	61	SW3661G3P(Color)
36	66	SW3666G3P(Color)
36	71	SW3671G3P(Color)
36	86	SW3686G3P(Color)
48	38	SW4838G3P(Color)
48	51	SW4851G3P(Color)
48	56	SW4856G3P(Color)
48	61	SW4861G3P(Color)
48	66	SW4866G3P(Color)
48	71	SW4871G3P(Color)
48	86	SW4886G3P(Color)

- 3" On Center standard
- 2" On Center available
- 86" & 96" High panels are split

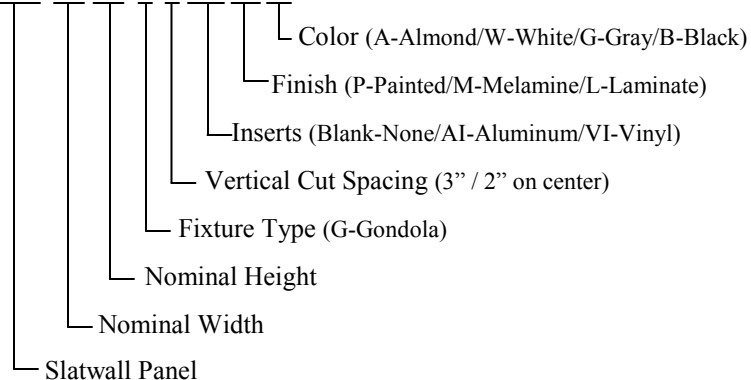
Painted Back Panels w/Metal Inserts		
Width	Height	Part Number
30	38	SW3038G3AIP(Color)
30	51	SW3051G3AIP(Color)
30	56	SW3056G3AIP(Color)
30	61	SW3061G3AIP(Color)
30	66	SW3066G3AIP(Color)
30	71	SW3071G3AIP(Color)
30	86	SW3086G3AIP(Color)
36	38	SW3638G3AIP(Color)
36	51	SW3651G3AIP(Color)
36	56	SW3656G3AIP(Color)
36	61	SW3661G3AIP(Color)
36	66	SW3666G3AIP(Color)
36	71	SW3671G3AIP(Color)
36	86	SW3686G3AIP(Color)
48	38	SW4838G3AIP(Color)
48	51	SW4851G3AIP(Color)
48	56	SW4856G3AIP(Color)
48	61	SW4861G3AIP(Color)
48	66	SW4866G3AIP(Color)
48	71	SW4871G3AIP(Color)
48	86	SW4886G3AIP(Color)

- 3" On Center standard
- 2" On Center available
- Aluminum inserts
- 86" & 96" High panels are split

Melamine Slatwall Back Panels



SW 30 51 G 3 AI M A



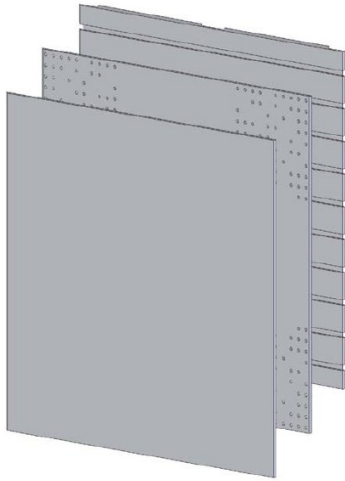
Melamine Back Panels		
Width	Height	Part Number
30	38	SW3038G3M(Color)
30	51	SW3051G3M(Color)
30	56	SW3056G3M(Color)
30	61	SW3061G3M(Color)
30	66	SW3066G3M(Color)
30	71	SW3071G3M(Color)
30	86	SW3086G3M(Color)
36	38	SW3638G3M(Color)
36	51	SW3651G3M(Color)
36	56	SW3656G3M(Color)
36	61	SW3661G3M(Color)
36	66	SW3666G3M(Color)
36	71	SW3671G3M(Color)
36	86	SW3686G3M(Color)
48	38	SW4838G3M(Color)
48	51	SW4851G3M(Color)
48	56	SW4856G3M(Color)
48	61	SW4861G3M(Color)
48	66	SW4866G3M(Color)
48	71	SW4871G3M(Color)
48	86	SW4886G3M(Color)

- 3" On Center standard
- 2" On Center available
- 86" & 96" High panels are split

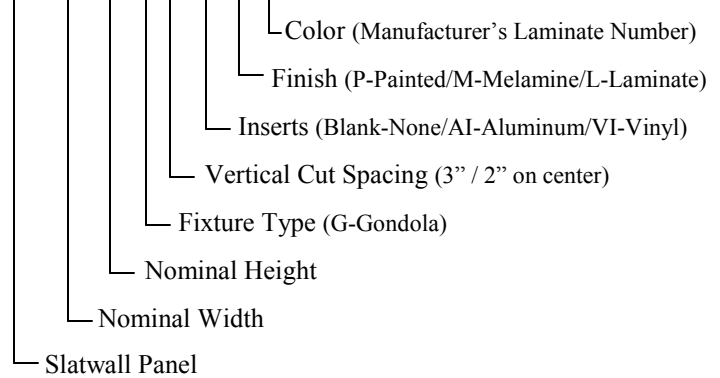
Melamine Back Panels w/Metal Inserts		
Width	Height	Part Number
30	38	SW3038G3AIM(Color)
30	51	SW3051G3AIM(Color)
30	56	SW3056G3AIM(Color)
30	61	SW3061G3AIM(Color)
30	66	SW3066G3AIM(Color)
30	71	SW3071G3AIM(Color)
30	86	SW3086G3AIM(Color)
36	38	SW3638G3AIM(Color)
36	51	SW3651G3AIM(Color)
36	56	SW3656G3AIM(Color)
36	61	SW3661G3AIM(Color)
36	66	SW3666G3AIM(Color)
36	71	SW3671G3AIM(Color)
36	86	SW3686G3AIM(Color)
48	38	SW4838G3AIM(Color)
48	51	SW4851G3AIM(Color)
48	56	SW4856G3AIM(Color)
48	61	SW4861G3AIM(Color)
48	66	SW4866G3AIM(Color)
48	71	SW4871G3AIM(Color)
48	86	SW4886G3AIM(Color)

- 3" On Center standard
- 2" On Center available
- Aluminum inserts
- 86" & 96" High panels are split

Laminate Slatwall Back Panels



SW 30 51 G 3 A I L A



Laminate Slatwall Back Panels		
Width	Height	Part Number
30	38	SW3038G3L#
30	51	SW3051G3L#
30	56	SW3056G3L#
30	61	SW3061G3L#
30	66	SW3066G3L#
30	71	SW3071G3L#
30	86	SW3086G3L#
36	38	SW3638GL3L#
36	51	SW3651G3L#
36	56	SW3656G3L#
36	61	SW3661G3L#
36	66	SW3666G3L#
36	71	SW3671G3L#
36	86	SW3686G3L#
48	38	SW4838G3L#
48	51	SW4851G3L#
48	56	SW4856G3L#
48	61	SW4861G3L#
48	66	SW4866G3L#
48	71	SW4871G3L#
48	86	SW4886G3L#

- 3" On Center standard
- 2" On Center available
- 86" & 96" High panels are split

Laminate Back Panels w/Metal Inserts		
Width	Height	Part Number
30	38	SW3038G3AIL#
30	51	SW3051G3AIL#
30	56	SW3056G3AIL#
30	61	SW3061G3AIL#
30	66	SW3066G3AIL#
30	71	SW3071G3AIL#
30	86	SW3086G3AIL#
36	38	SW3638G3AIL#
36	51	SW3651G3AIL#
36	56	SW3656G3AIL#
36	61	SW3661G3AIL#
36	66	SW3666G3AIL#
36	71	SW3671G3AIL#
36	86	SW3686G3AIL#
48	38	SW4838G3AIL#
48	51	SW4851G3AIL#
48	56	SW4856G3AIL#
48	61	SW4861G3AIL#
48	66	SW4866G3AIL#
48	71	SW4871G3AIL#
48	86	SW4886G3AIL#

- 3" On Center standard
- 2" On Center available
- Aluminum inserts
- 86" & 96" High panels are split

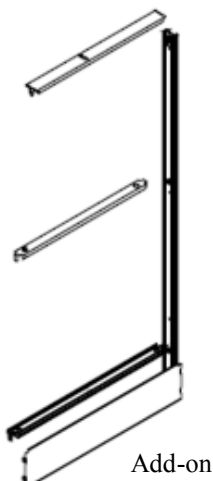
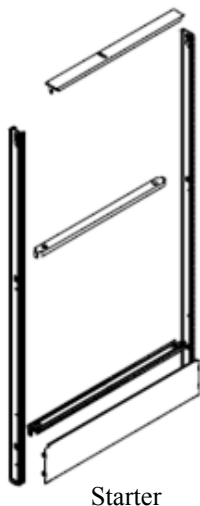
Open Back Kits



- Starter kit contains (2) end standards, cross tie, tie bar, and top cap
- Add-on kit contains (1) center standard, cross tie, and top cap
- If back panels required, see pages 15-21
- Standard colors Décor White and Dove Gray
- See color chart for additional colors

Height	unit type	48"	36"	30"
		part number	part number	part number
38	starter	00200-0584	00200-0583	00200-0582
	add-on	00200-0589	00200-0588	00200-0587
51	starter	00200-0080	00200-0074	00200-0068
	add-on	00200-0110	00200-0104	00200-0098
56	starter	00200-0081	00200-0075	00200-0069
	add-on	00200-0111	00200-0105	00200-0099
61	starter	00200-0082	00200-0076	00200-0070
	add-on	00200-0112	00200-0106	00200-0100
66	starter	00200-0083	00200-0077	00200-0071
	add-on	00200-0113	00200-0107	00200-0101
71	starter	00200-0084	00200-0078	00200-0072
	add-on	00200-0114	00200-0108	00200-0102
78	starter	00200-0086	00200-0084	00200-0073
	add-on	00200-0887	00200-0185	00200-0103

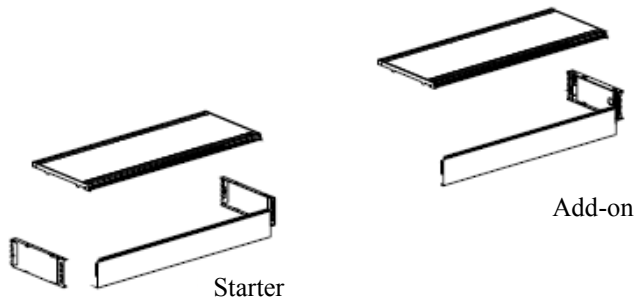
Open Back Kits with Flush Base



- Starter kit contains (2) end standards, flush base, tie bar, cross tie and top cap
- Add-on kit contains (1) center standard, flush base, tie bar, cross tie and top cap
- If back panels required, see page 22-23
- Standard colors Décor White and Dove Gray
- See color chart for additional colors

Height	unit type	48"	36"	30"
		part number	part number	part number
86	starter	00100-0130	00100-0127	00100-0124
	add-on	00100-0145	00100-0142	00100-0139
96	starter	00100-0131	00100-0128	00100-0125
	add-on	00100-0146	00100-0143	00100-0140

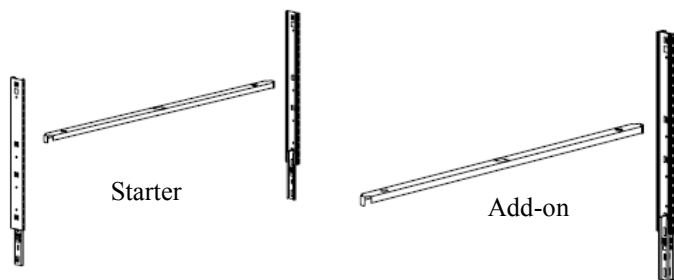
Base Kits



- Converts wallcase units to two sided gondola units
- Kit contains parts as illustrated
- Levelers are optional

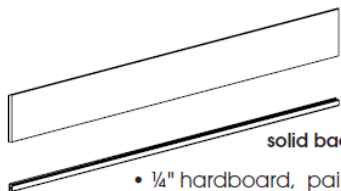
Base depth	unit type	48"	36"	30"
		part number	part number	part number
12	starter	00655-0032	00655-0022	00655-0012
	add-on	00655-0082	00655-0072	00655-0062
14	starter	00655-0033	00655-0023	00655-0013
	add-on	00655-0083	00655-0073	00655-0063
16	starter	00655-0034	00655-0024	N/A
	add-on	00655-0084	00655-0074	N/A
18	starter	00655-0035	00655-0025	00655-0015
	add-on	00655-0085	00655-0075	00655-0065
20	starter	00655-0036	00655-0026	00655-0016
	add-on	00655-0086	00655-0076	00655-0066
22	starter	00655-0037	00655-0027	N/A
	add-on	00655-0087	00655-0077	N/A
24	starter	00655-0038	00655-0028	N/A
	add-on	00655-0088	00655-0078	N/A
28	starter	00655-0040	00655-0030	N/A
	add-on	00655-0090	00655-0080	N/A

Full Panel Extender Kits



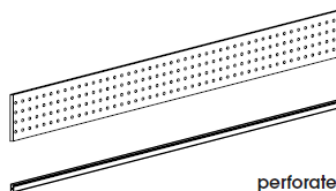
- Each starter kit contains 2 end extender standards and tie bar (5" extender without tie bar)
- Each add-on kit contains 2 end extender standards, a tie bar, and connecting hardware
- Order back panel separately
- Perf & Grove extender panel heights are based on a full 61" panel, ask for details
- Standard colors Décor White (15) and Dove Gray (KM)

		48"	36"	30"
Height	unit type	part number	part number	part number
5	starter	00100-1624	00100-1624	00100-1624
	add-on	00100-1779	00100-1779	00100-1779
10	starter	00100-1356	00100-1343	00100-1330
	add-on	00100-1395	00100-1382	00100-1369
15	starter	00100-1357	00100-1344	00100-1331
	add-on	00100-1396	00100-1383	00100-1370
20	starter	00100-1358	00100-1345	00100-1332
	add-on	00100-1397	00100-1384	00100-1371
25	starter	00100-1359	00100-1346	00100-1333
	add-on	00100-1398	00100-1385	00100-1372



solid back

- ¼" hardboard, painted 1 face baked enamel
- includes clear H-channel



perforated

- ¼" hardboard, painted 1 face baked enamel
- ¼" perforations spaced 1" o.c.
- includes clear H-channel

		48"	36"	30"
Height	unit type	part number	part number	part number
5	Painted Solid Back Panels	01000-3929	01000-3928	01000-3927
10		01000-3521	01000-3508	01000-3495
15		01000-3522	01000-3509	01000-3496
20		01000-3523	01000-3510	01000-3497
25		01000-3524	01000-3511	01000-3498
5	Painted Perforated Back Panels	01000-3926	01000-3925	01000-3924
10		01000-3482	01000-3469	01000-3456
15		01000-3483	01000-3470	01000-3457
20		01000-3484	01000-3471	01000-3458
25		01000-3485	01000-3472	01000-3459
5	Painted Perf & Groove Back Panels	01000-4256	01000-4244	01000-4232
10		01000-4257	01000-4245	01000-4233
15		01000-4258	01000-4246	01000-4234
20		01000-4259	01000-4247	01000-4235
25		01000-4260	01000-4248	01000-4236

Components

End Standard

Size	Part Number
38	08403-0300
51	08403-0063
56	08403-0062
61	08403-0061
66	08403-0060
71	08403-0059
78	08403-3730
86	08403-0058
96	08403-0056

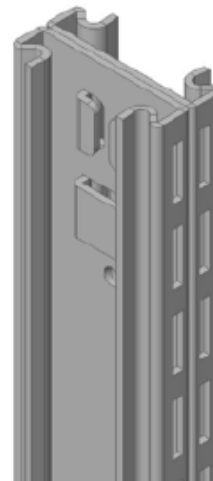
- Used at ends of each run of fixtures
- To add levelers, see page 42
- For glides, see page 64
- Standard colors Décor White (15) and Dove Gray (KM)
- See color chart for additional colors



Center Standard

Size	Part Number
38	08712-0130
51	08712-0036
56	08712-0035
61	08712-0034
66	08712-0033
71	08712-0032
78	08712-1749
86	08712-0031
96	08712-0029

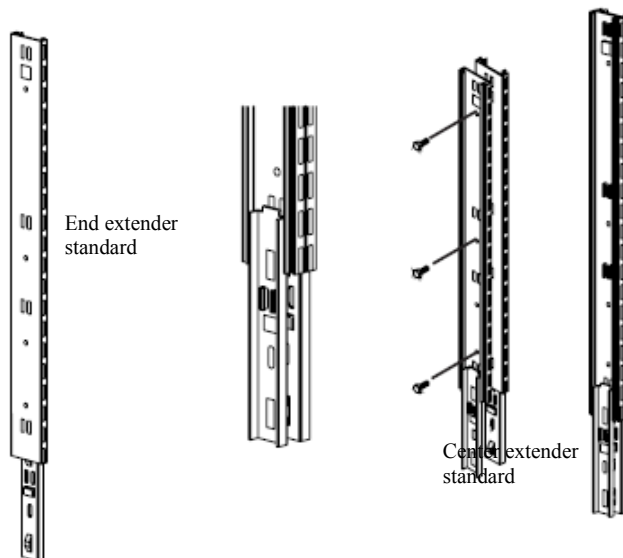
- Used in every add-on unit in a run of fixtures
- To add levelers, see page 42
- For glides, see page 64
- Standard colors Décor White (15) and Dove Gray (KM)
- See color chart for additional colors



Components

Extender Standard

End Extender Standards	
Size	Part Number
05	08800-0500
10	08800-0505
15	08800-0506
20	08800-0507
25	08800-0508
Center Extender Standards	
Size	Part Number
05	00100-1775
10	00100-1780
15	00100-1781
20	00100-1782
25	00100-1783
<ul style="list-style-type: none"> • Used for adding height to existing gondolas and wallcases • Standard colors Décor White (15) and Dove Gray (KM) • Center standards shipped unassembled 	



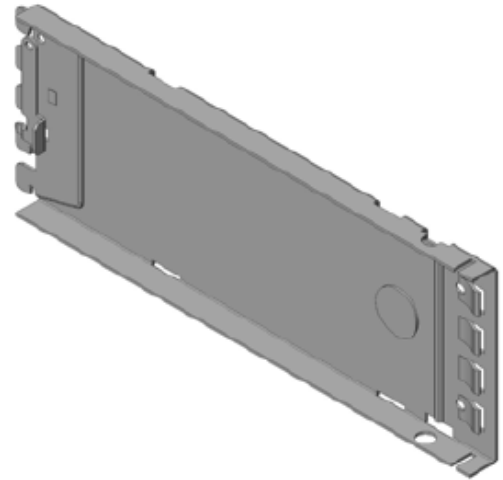
5" - 15" extender center standard hardware		
Part Number	Description	Quantity
00060-1079	1/4" - 20x3/4" screw	2
00060-1156	1/4" - 20 hex nut	2
00060-1166	1/4" washer	2
20" - 25" extender center standard hardware		
Part Number	Description	Quantity
00060-1079	1/4" - 20x3/4" screw	3
00060-1156	1/4" - 20 hex nut	3
00060-1166	1/4" washer	3

Components

End Bottom Arm

Size	Part Number
12	08704-1545 (R/L)
14	08704-1546 (R/L)
16	08704-1547 (R/L)
18	08704-1548 (R/L)
20	08704-1549 (R/L)
22	08704-1550 (R/L)
24	08704-1551 (R/L)
28	08704-1553 (R/L)

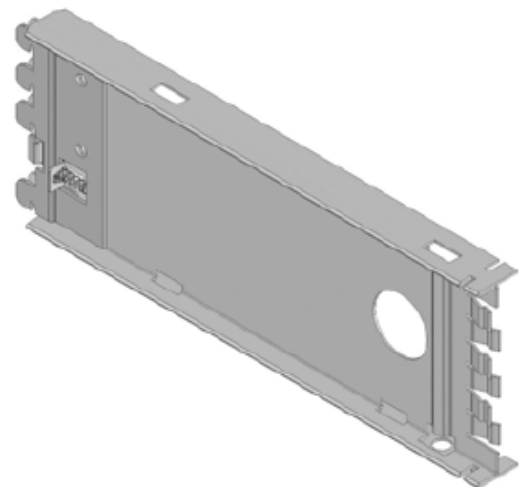
- Indicate left or right hand
- Black (25) standard
- Brown (13) optional color
- To add levelers, see page 42
- For glides, see page 64



Center Bottom Arm

Size	Part Number
12	08704-1521
14	08704-1522
16	08704-1523
18	08704-1524
20	08704-1525
22	08704-1526
24	08704-1527
28	08704-1529

- Used with center standards
- Neutral color
- To add levelers, see page 42
- For glides, see page 64



Components

Levelers



Item	Part Number
Leveler kit	LEV_LOOSE
Leveler	08308-0164
J nut retainer	08308-0237

- Levelers shipped loose, uninstalled

Levelers Uninstalled

Item	Part Number
Gondola Starter	LEVU F/G S
Gondola Add-on	LEVU F/G A
Half Gondola Starter	LEVU H/G S
Half Gondola Add-on	LEVU H/G A
Open Back Kit Starter	LEVU OB S
Open Back Kit Add-on	LEVU OB A
Base Kit Starter	LEVU BSE S
Base Kit Add-on	LEVU BSE A
Standard	LEVU STD
Bottom Arm	LEVU BTM ARM

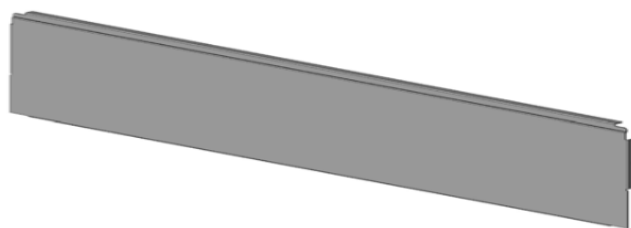
- Levelers shipped loose, uninstalled

Levelers Installed

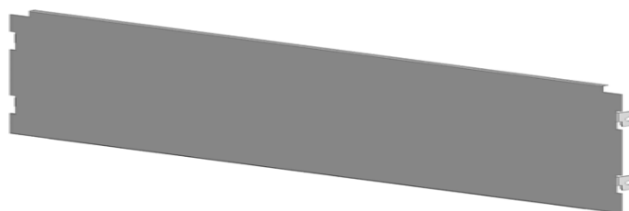
Item	Part Number
Gondola Starter	LEVI F/G S
Gondola Add-on	LEVI F/G A
Half Gondola Starter	LEVI H/G S
Half Gondola Add-on	LEVI H/G A
Open Back Kit Starter	LEVI OB S
Open Back Kit Add-on	LEVI OB A
Base Kit Starter	LEVI BSE S
Base Kit Add-on	LEVI BSE A
Standard	LEVI STD
Bottom Arm	LEVI BTM ARM

- Levelers shipped installed

Floating Kickplate



Flush Base



Size	Part Number
30	08403-6549
36	08403-6550
48	08403-6551

- Snaps into bottom arms
- Black (25) standard, Brown (13) optional color

Size	Part Number
30	08403-8175
36	08403-8176
48	08403-8177

- Finishes off units without base decks
- Black (25) standard, Brown (13) optional color

Components

Size	Part Number
30	08403-0214
36	08403-0213
48	08403-0212

- Used to cover top edge of back panel, fits into standards
- Has a hole for superstructure post in center

Size	Part Number
30	08403-0208
36	08403-0207
48	08403-0206

- Used in gondola and wallcases at 51" and higher
- Connects standards internally between back panels

Size	Part Number
30	08403-6755
36	08403-6756
48	08403-6757

- Needed to replace standard tie bar when using slatwall back panels
- Two required on 86" and 96" high units

Size	Part Number
30	08403-8180
36	08403-8181
48	08403-8182

- Used in gondola and wallcases to retain panel at bottom of fixtures

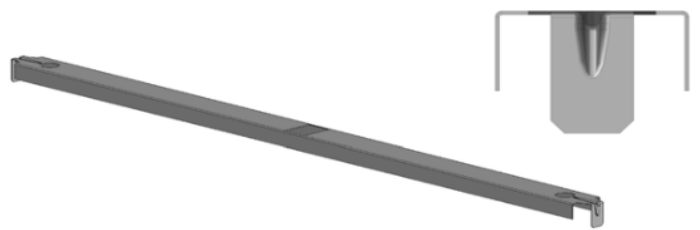
Size	Part Number
30	08601-0223
36	08601-0224
48	08601-0225

- Used in gondola and wallcases for split panels
- Clear plastic material

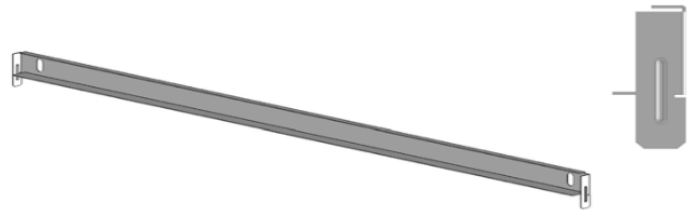
Top Cap



Tie Bar



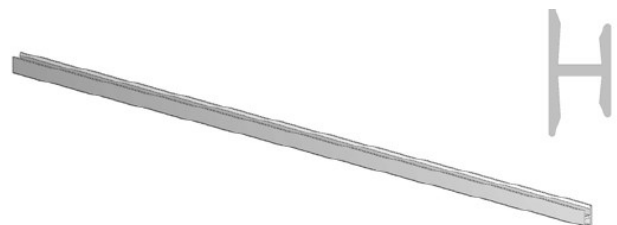
Slatwall Tie Bar



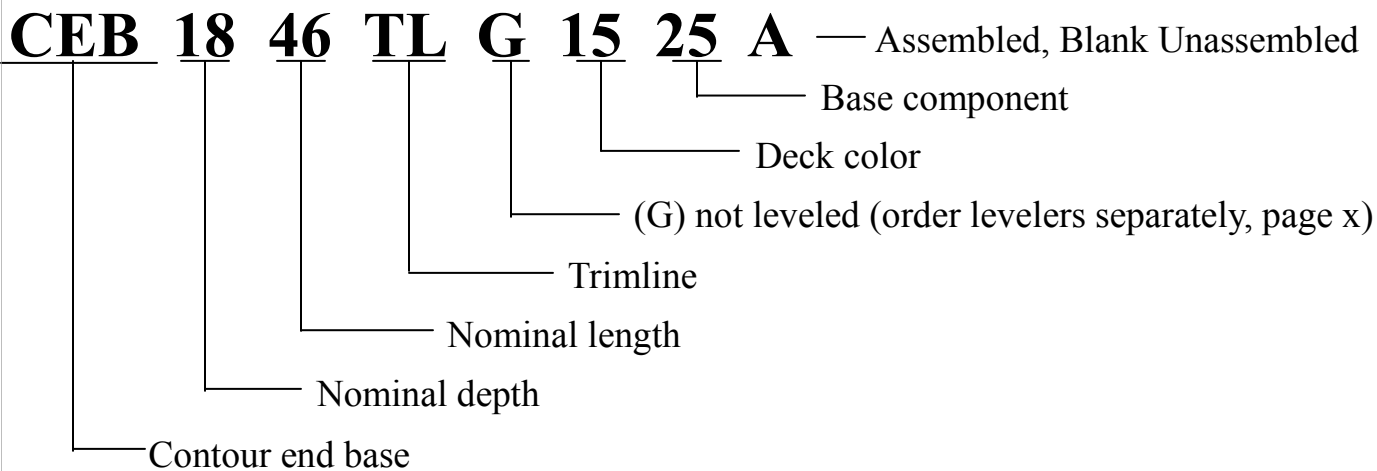
Cross Tie



H Channel

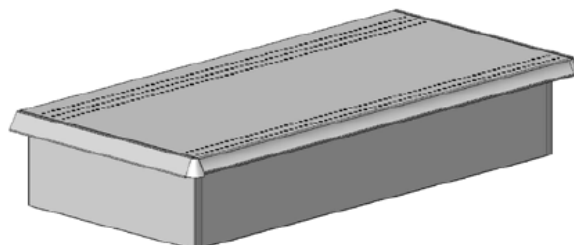


Contour End Base



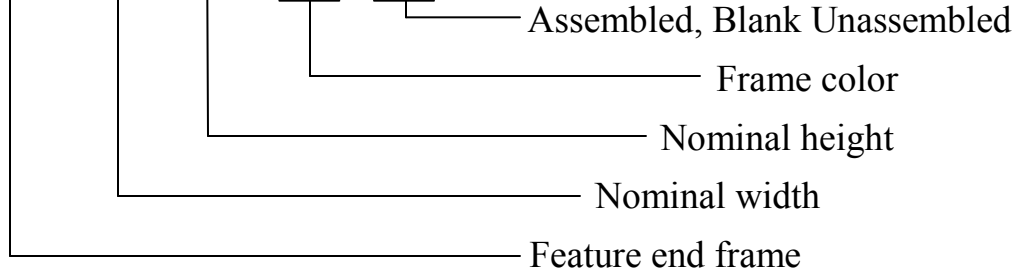
Gondola Decks	Depth	Width	Part Number
12 / 12	14	26	CEB1426TLG __ (A)
14 / 14	14	30	CEB1430TLG __ (A)
14 / 14	16	30	CEB1630TLG __ (A)
14 / 14	18	30	CEB1830TLG __ (A)
16 / 16	14	34	CEB1434TLG __ (A)
16 / 16	16	34	CEB1634TLG __ (A)
16 / 16	18	34	CEB1834TLG __ (A)
18 / 18	18	38	CEB1838TLG __ (A)
20 / 20	18	42	CEB1842TLG __ (A)
22 / 22	18	46	CEB1846TLG __ (A)

- Used at the end of a shelving run
- Shipped unassembled unless assembled option specified
- Designate paint color for deck, standard base parts are black
- For Installed levelers - Part# LEVI CEB
- For Uninstalled levelers - Part# LEVU CEB



Feature End Frame

FE 36 51 15 A



Width	Height	Part Number
30	51	FE3051_ (A)
30	56	FE3056_ (A)
30	61	FE3061_ (A)
30	66	FE3066_ (A)
30	71	FE3071_ (A)
30	86	FE3086_ (A)
36	51	FE3651_ (A)
36	56	FE3656_ (A)
36	61	FE3661_ (A)
36	66	FE3666_ (A)
36	71	FE3671_ (A)
36	86	FE3686_ (A)
48	51	FE4851_ (A)
48	56	FE4856_ (A)
48	61	FE4861_ (A)
48	66	FE4866_ (A)
48	71	FE4871_ (A)
48	86	FE4886_ (A)

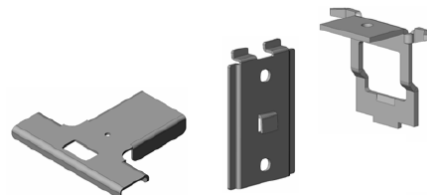
- Used at the end of a shelving run
- Used with or without contour end
- All ends with two back panels, ordered separately
- Shipped unassembled unless assembled option specified
- Feature end frame hardware pack included



T-brace Kit

	Part Number
T-brace Kit	01611-0332

- Used to secure feature end frame to end of run
- Specify color



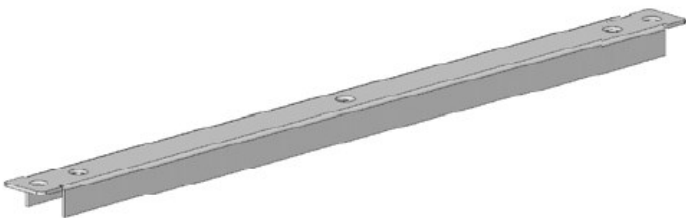
Feature End Components

Sign Stem Fitting



Size	Part Number
-	08302-0002
<ul style="list-style-type: none"> Required on feature end top rails 	

Feature End Frame Top Channel



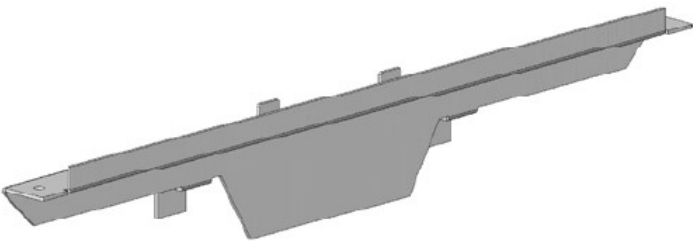
Size	Part Number
30	08403-8391
36	08403-8392
48	08403-8393
<ul style="list-style-type: none"> Used at the top of the feature end frame to secure side channels and back panels 	

Feature End Frame Side Channel



Size	Part Number
51	08800-2355
56	08800-2356
61	08800-2357
66	08800-2358
71	08800-2359
86	08800-2364
<ul style="list-style-type: none"> Rails priced individually 	

Feature End Frame Bottom Angle

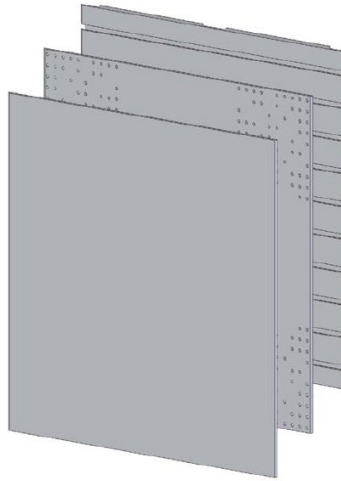


Size	Part Number
30	08405-0891
36	08405-0892
48	08405-0893
<ul style="list-style-type: none"> Used at the bottom of the feature end frame to secure the side rails and back panels Mounts the feature end to the bottom of the gondola run 	

Feature End Frame Hardware

Description	Part Number
#10-24 x 1/2" PFH MS.	00060-1060
<ul style="list-style-type: none"> 8 per Feature End Frame Used to secure feature end frame components together and secure feature end frames to gondolas 	

Feature End Back Panels

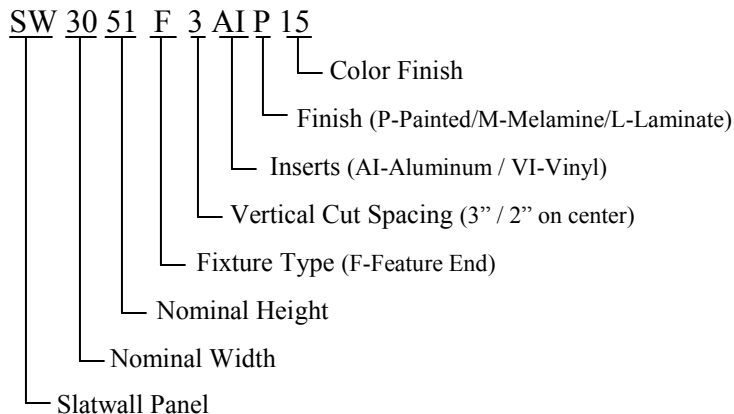
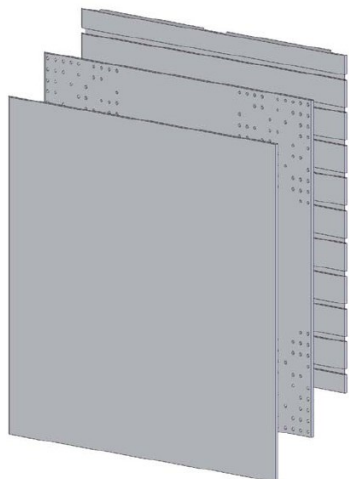


Solid Back Panels		
Width	Depth	Part Number
30	51	08583-3051
30	56	08583-3056
30	61	08583-3061
30	66	08583-3066
30	71	08583-3071
30	86	08583-3086
36	51	08583-3651
36	56	08583-3656
36	61	08583-3661
36	66	08583-3666
36	71	08583-3671
36	86	08583-3686
48	51	08583-4851
48	56	08583-4856
48	61	08583-4861
48	66	08583-4866
48	71	08583-4871
48	86	08583-4886
<ul style="list-style-type: none"> • 1/4" Hardboard • <u>Painted one side</u> 		

Pegboard Back Panels		
Width	Depth	Part Number
30	51	08582-3051
30	56	08582-3056
30	61	08582-3061
30	66	08582-3066
30	71	08582-3071
30	86	08582-3086
36	51	08582-3651
36	56	08582-3656
36	61	08582-3661
36	66	08582-3666
36	71	08582-3671
36	86	08582-3686
48	51	08582-4851
48	56	08582-4856
48	61	08582-4861
48	66	08582-4866
48	71	08582-4871
48	86	08582-4886
<ul style="list-style-type: none"> • 1/4" Hardboard • 1/4" Perforations spaced 1" o.c. • <u>Painted one side</u> 		

Perf & Groove Back Panels		
Width	Depth	Part Number
30	51	08589-3051
30	56	08589-3056
30	61	08589-3061
30	66	08589-3066
30	71	08589-3071
30	86	08589-3086
36	51	08589-3651
36	56	08589-3656
36	61	08589-3661
36	66	08589-3666
36	71	08589-3671
36	86	08589-3686
48	51	08589-4851
48	56	08589-4856
48	61	08589-4861
48	66	08589-4866
48	71	08589-4871
48	86	08589-4886
<ul style="list-style-type: none"> • 1/4" Hardboard • 1/4" Perfs vertically spaced 2" o.c. • <u>Painted one side</u> 		

Painted Slatwall Feature End Back Panels



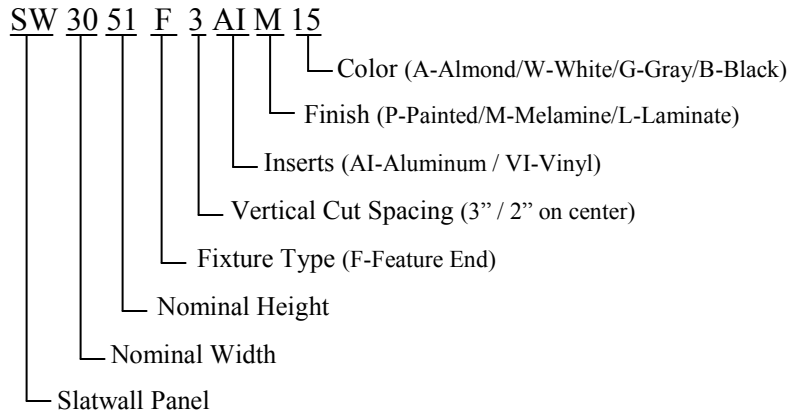
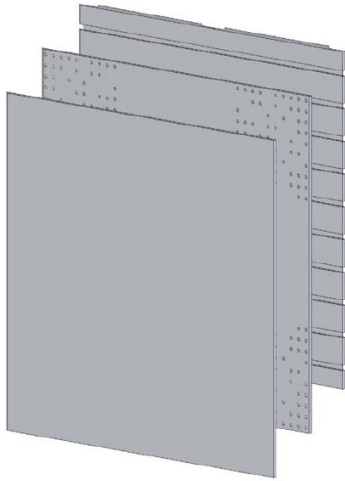
Painted Slatwall Back Panels		
Width	Height	Part Number
30	51	SW3051F3P(Color)
30	56	SW3056F3P(Color)
30	61	SW3061F3P(Color)
30	66	SW3066F3P(Color)
30	71	SW3071F3P(Color)
30	86	SW3086F3P(Color)
36	51	SW3651F3P(Color)
36	56	SW3656F3P(Color)
36	61	SW3661F3P(Color)
36	66	SW3666F3P(Color)
36	71	SW3671F3P(Color)
36	86	SW3686F3P(Color)
48	51	SW4851F3P(Color)
48	56	SW4856F3P(Color)
48	61	SW4861F3P(Color)
48	66	SW4866F3P(Color)
48	71	SW4871F3P(Color)
48	86	SW4886F3P(Color)

- 3" On Center standard
- 2" On Center available
- Painted one side

Painted Slatwall Panels w/Metal Inserts		
Width	Height	Part Number
30	51	SW3051F3AIP(Color)
30	56	SW3056F3AIP(Color)
30	61	SW3061F3AIP(Color)
30	66	SW3066F3AIP(Color)
30	71	SW3071F3AIP(Color)
30	86	SW3086F3AIP(Color)
36	51	SW3651F3AIP(Color)
36	56	SW3656F3AIP(Color)
36	61	SW3661F3AIP(Color)
36	66	SW3666F3AIP(Color)
36	71	SW3671F3AIP(Color)
36	86	SW3686F3AIP(Color)
48	51	SW4851F3AIP(Color)
48	56	SW4856F3AIP(Color)
48	61	SW4861F3AIP(Color)
48	66	SW4866F3AIP(Color)
48	71	SW4871F3AIP(Color)
48	86	SW4886F3AIP(Color)

- 3" On Center
- 2" On Center available
- Aluminum inserts
- Painted one side

Melamine Slatwall Feature End Back Panels



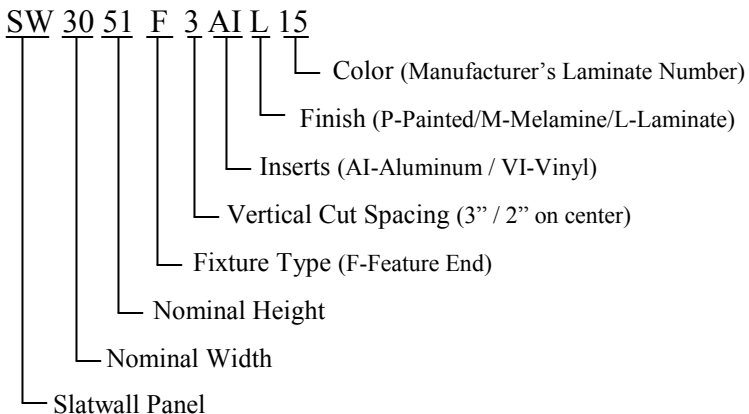
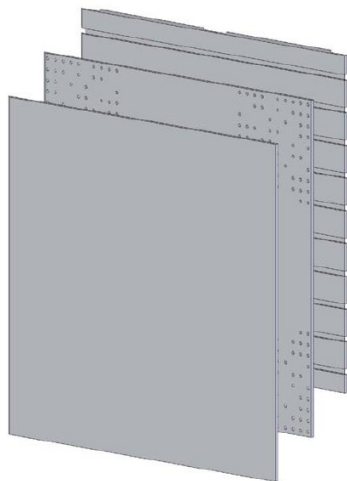
Melamine Slatwall Back Panels		
Width	Height	Part Number
30	51	SW3051F3M(Color)
30	56	SW3056F3M(Color)
30	61	SW3061F3M(Color)
30	66	SW3066F3M(Color)
30	71	SW3071F3M(Color)
30	86	SW3086F3M(Color)
36	51	SW3651F3M(Color)
36	56	SW3656F3M(Color)
36	61	SW3661F3M(Color)
36	66	SW3666F3M(Color)
36	71	SW3671F3M(Color)
36	86	SW3686F3M(Color)
48	51	SW4851F3M(Color)
48	56	SW4856F3M(Color)
48	61	SW4861F3M(Color)
48	66	SW4866F3M(Color)
48	71	SW4871F3M(Color)
48	86	SW4886F3M(Color)

- 3" On Center standard
- 2" On Center available
- Melamine finishes may not be an exact match to corresponding metal finishes
- Painted one side

Melamine Back Panels w/Metal Inserts		
Width	Height	Part Number
30	51	SW3051F3AIM(Color)
30	56	SW3056F3AIM(Color)
30	61	SW3061F3AIM(Color)
30	66	SW3066F3AIM(Color)
30	71	SW3071F3AIM(Color)
30	86	SW3086F3AIM(Color)
36	51	SW3651F3AIM(Color)
36	56	SW3656F3AIM(Color)
36	61	SW3661F3AIM(Color)
36	66	SW3666F3AIM(Color)
36	71	SW3671F3AIM(Color)
36	86	SW3686F3AIM(Color)
48	51	SW4851F3AIM(Color)
48	56	SW4856F3AIM(Color)
48	61	SW4861F3AIM(Color)
48	66	SW4866FE3AIM(Color)
48	71	SW4871F3AIM(Color)
48	86	SW4886F3AIM(Color)

- 3" On Center
- 2" On Center available
- Aluminum inserts
- Melamine finishes may not be an exact match to corresponding metal finishes
- Painted one side

Laminate Slatwall Feature End Back Panels



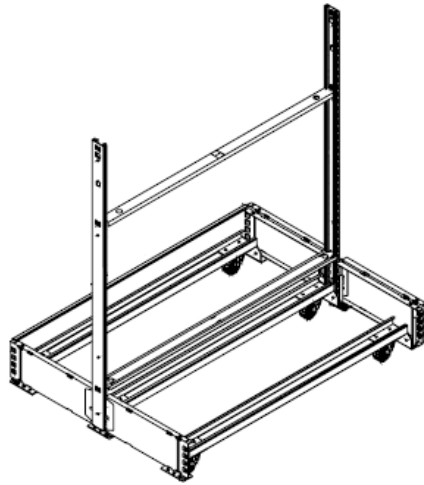
Laminate Slatwall Back Panels		
Width	Height	Part Number
30	51	SW3051F3L(Color)
30	56	SW3056F3L(Color)
30	61	SW3061F3L(Color)
30	66	SW3066F3L(Color)
30	71	SW3071F3L(Color)
30	86	SW3086F3L(Color)
36	51	SW3651F3L(Color)
36	56	SW3656F3L(Color)
36	61	SW3661F3L(Color)
36	66	SW3666F3L(Color)
36	71	SW3671F3L(Color)
36	86	SW3686F3L(Color)
48	51	SW4851F3L(Color)
48	56	SW4856F3L(Color)
48	61	SW4861F3L(Color)
48	66	SW4866F3L(Color)
48	71	SW4871F3L(Color)
48	86	SW4886F3L(Color)

- 3" On Center standard
- 2" On Center available
- Laminate finishes may not be an exact match to corresponding metal finishes
- Painted one side

Laminate Back Panels w/Metal Inserts		
Width	Height	Part Number
30	51	SW3051F3AIL(Color)
30	56	SW3056F3AIL(Color)
30	61	SW3061F3AIL(Color)
30	66	SW3066F3AIL(Color)
30	71	SW3071F3AIL(Color)
30	86	SW3086F3AIL(Color)
36	51	SW3651F3AIL(Color)
36	56	SW3656F3AIL(Color)
36	61	SW3661F3AIL(Color)
36	66	SW3666F3AIL(Color)
36	71	SW3671F3AIL(Color)
36	86	SW3686F3AIL(Color)
48	51	SW4851F3AIL(Color)
48	56	SW4856F3AIL(Color)
48	61	SW4861F3AIL(Color)
48	66	SW4866F3AIL(Color)
48	71	SW4871F3AIL(Color)
48	86	SW4886F3AIL(Color)

- 3" On Center
- 2" On Center available
- Aluminum inserts
- Laminate finishes may not be an exact match to corresponding metal finishes
- Painted one side

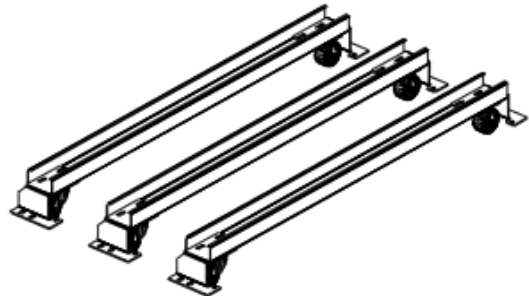
Caster Kits



Kits includes all channels, casters, brace, and hardware

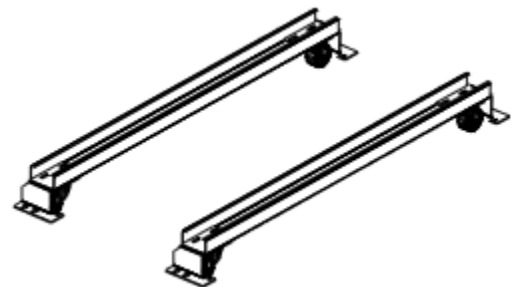
Full Gondola Caster Kits

	Size	Part Number
Starter	48	01610-2189
Add-on	48	01610-2190
Starter	36	01610-2191
Add-on	36	01610-2192
Starter	30	01610-2193
Add-on	30	01610-2194



Half Gondola Caster Kits

	Size	Part Number
Starter	48	01610-2195
Add-on	48	01610-2196
Starter	36	01610-2197
Add-on	36	01610-2198
Starter	30	01610-2199
Add-on	30	01610-2200



CEB Caster Kits

Caster Kits for Contour End Bases	
Width	Part Number
30	01610-2267
34	01610-2268
38	01610-2269
42	01610-2270
46	01610-2271



Caster Kits

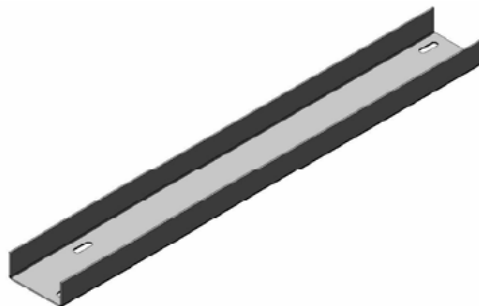
Size	Part Number
Contour End Base Channels	
30	08445-2268
34	08445-2269
38	08445-1693
42	08445-2270
46	08445-2271
Gondola Channels	
30	08445-1694
36	08445-1693
48	08445-1692
<ul style="list-style-type: none"> • 3 caster channels are required per full gondola • 2 caster channels are required per half gondola • 1 caster channel is required per contour end base 	

Size	Part Number
-	08445-2559L
-	08445-2259R
<ul style="list-style-type: none"> • 1 left and 1 right caster brace is required per caster channel 	

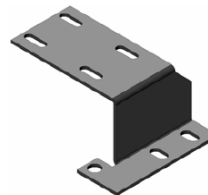
Size	Part Number
-	T8308-0280
<ul style="list-style-type: none"> • Two casters per channel are required for gondola starter units and contour end bases • Only one caster per channel is required for gondola add-on units 	

Part Number	Description
00060-1157	5/16-18 hex nut
00060-1275	Split lock washer
00060-1171	Cap screw 5/16-18"
08405-08870	CEB Leveler - CSTR Channel
00060-135200	3/8-16x3/4 HX.HD.CS
08445-1720	Spacer plate
08709-446815	Strap w/nut 3/8-16

Caster Channel



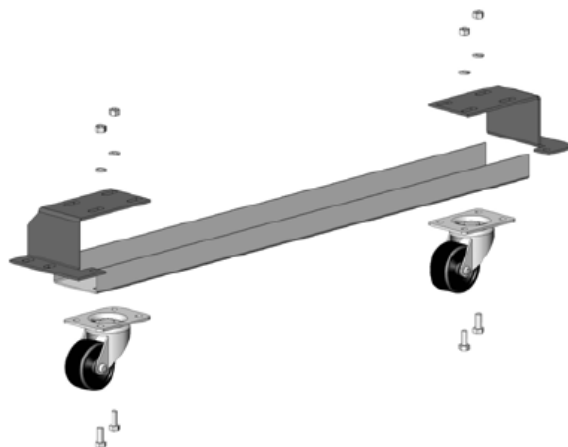
Caster Brace



Caster



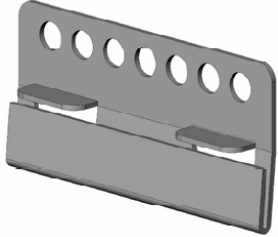
Caster Hardware



Anchors / Tie Downs

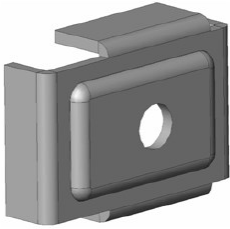
Size	Part Number
-	08403-2001
<ul style="list-style-type: none"> • Grips top cap and is fastened to the wall • Zinc finish • Fasteners not included 	

Top Cap Anchor Bracket



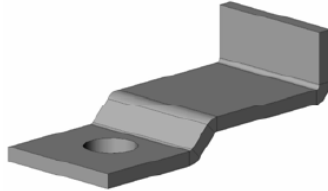
Size	Part Number
-	08403-0789
<ul style="list-style-type: none"> • Grips vertical edge of standard & fastened to the wall • 12 ga. steel, zinc finish • Fasteners not included • Included in 86" and 96" wallcase unit kits 	

Standard Wall Tie Bracket



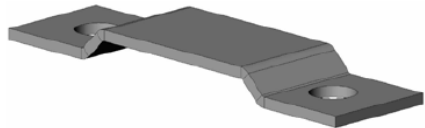
Size	Part Number
-	08403-6442
<ul style="list-style-type: none"> • Ties end bottom arm to the floor from inside the base • not visible when unit is assembled • 12 ga. steel, zinc finish • Fasteners not included 	

End Bottom Arm Tie Down



Size	Part Number
-	08403-6143
<ul style="list-style-type: none"> • Straps center bottom arm to the floor • 12 ga. steel, zinc finish • Fasteners not included 	

Center Bottom Arm Tie Down



4-Way Merchandiser

4-Way Displays

Width	Height	Part Number
A-Assembled Frames / Blank Unassembled Frames		
30	51	4WD46511525 (A)
30	61	4WD46611525 (A)
36	51	4WD54511525 (A)
36	61	4WD54611525 (A)

- Frame assembly optional
- Final assembly required
- Units available in other heights
- All units supplied with casters on base

4-Way Back Panels

Solid Backs (painted one side)

Width	Height	Part Number
30	51	08583-0020
30	61	08583-0022
36	51	08583-0025
36	61	08583-0027

Perf Backs (painted one side)

30	51	08582-0001
30	61	08582-0003
36	51	08582-0006
36	61	08582-0008

- Sold separately
- Painted one side only
- Also available in slatwall and perf & groove

4-Way Assembly Template

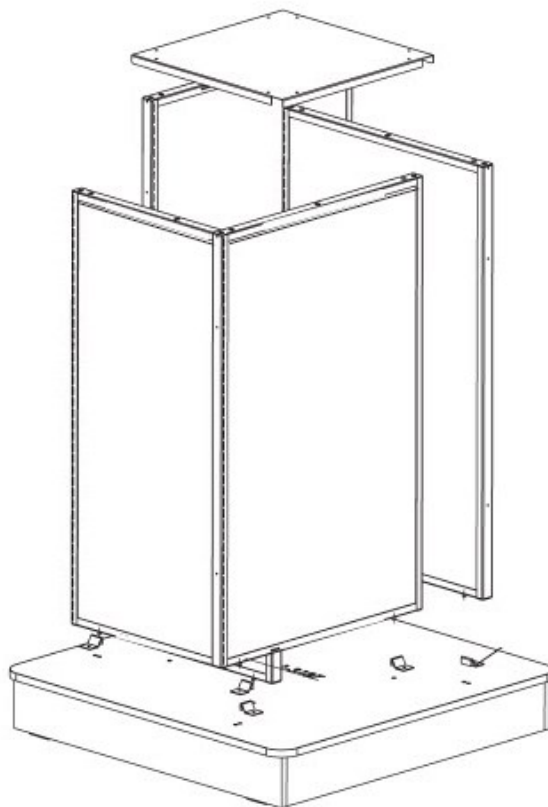
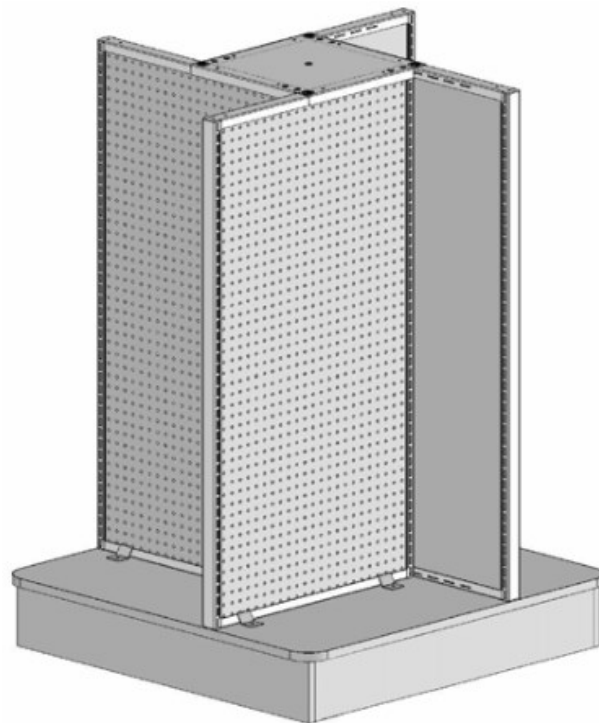
Base Size	Shelf Size
46	46TEMPLATE 4W
54	54TEMPLATE 4W

- Template used for assembly of frames to base

Shelves

End Frame Width	Base Size	Shelf Size	Part Number
30	46	10 x 30	01346-1030
36	54	12 x 36	01346-1236

- Suggested maximum shelf sizes

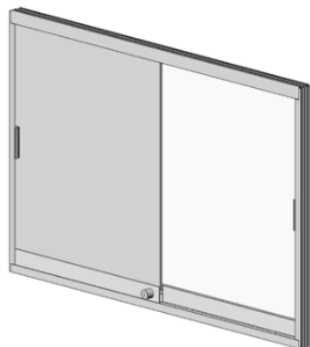


Security Case Kit

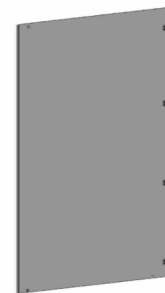


Height	Width	Depth	Minimum Fixture Ht	Part Number
50	48	18	61	184850SECCS15KIT
71	48	18	71	184871SECCS15KIT
50	48	20	61	204850SECCS15KIT
71	48	20	71	204871SECCS15KIT
50	48	22	61	224850SECCS15KIT
71	48	22	71	224871SECCS15KIT

- Kit includes security case, metal side panels, and hardware
- Top and bottom shelves required to enclose case, sold separately
- Sliding tempered glass doors in aluminum frame
- Stated size is nominal frame size
- When ordering shelves to be used inside security case, it is recommended ordering the shelf at least 2" shallower than the security case capping shelf



Glass Security Case

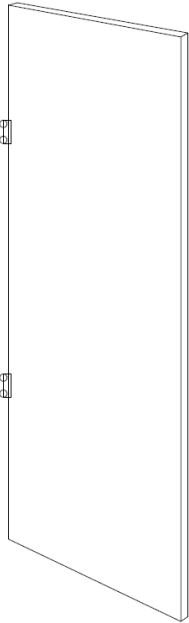


Metal Side Panels

End Panels

Single Wood End Panels

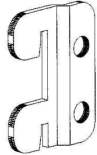
Depth	Height	Part Number
16	38	01002-0596
16	51	01002-0591
16	56	01002-0599
16	61	01002-0607
16	66	01002-0615
16	71	01002-0623
16	86	01002-0359
16	96	01002-0367
18	38	01002-0597
18	51	01002-0592
18	56	01002-0600
18	61	01002-0608
18	66	01002-0616
18	71	01002-0624
18	86	01002-0360
18	96	01002-0368
22	38	01002-0598
22	51	01002-0594
22	56	01002-0602
22	61	01002-0610
22	66	01002-0618
22	71	01002-0626
22	86	01002-0362
22	96	01002-0370



- Available Finishes:
- Melamine - A-Almond/W-White/G-Gray/B-Black
- Laminate - upon request
- Used to finish off wallcase ends or one side of gondola end

Off-Set End Panel Hooks

Style	Part Number
Right hand	01610-0325R
Left hand	01610-0325L
<ul style="list-style-type: none"> • Ordered separately from end panels 	

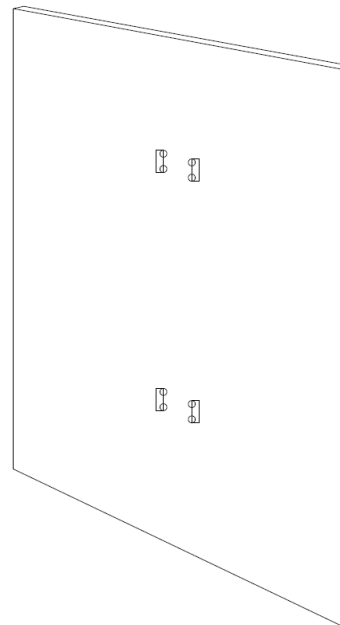


End Panels

Double Wood End Panels

Depth	Height	Part Number
16	38	01002-0879
16	51	01002-0895
16	56	01002-0903
16	61	01002-0911
16	66	01002-0919
16	71	01002-0927
18	38	01002-0880
18	51	01002-0896
18	56	01002-0904
18	61	01002-0912
18	66	01002-0920
18	71	01002-0928
22	38	01002-0882
22	51	01002-0898
22	56	01002-0906
22	61	01002-0914
22	66	01002-0921
22	71	01002-0929

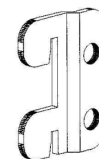
- Available Finishes:
- Melamine - A-Almond/W-White/G-Gray/B-Black
- Laminate - upon request
- Used to finish off gondola ends



Off-Set End Panel Hooks

Style	Part Number
Right hand	01610-0325R
Left hand	01610-0325L

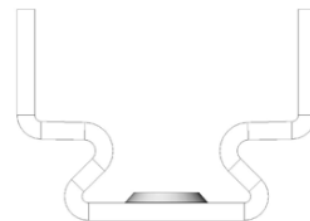
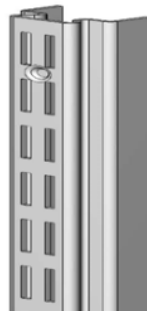
- Ordered separately from end panels



Accessories

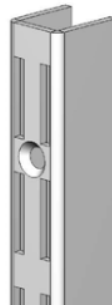
Heavy Duty Wall Mount Standards

Size	Part Number
86"	01600-0013
96"	01600-0014
<ul style="list-style-type: none"> • 1-5/8" wide x 1-5/32" deep • U-channel standards attach to wall • Identical slotting as regular standards • Grooved for optional use with 1/4" standard back panel 	



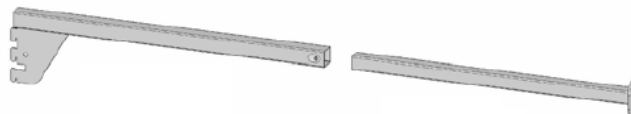
Slim Line Wall Mount Standards

Size	Part Number
41"	01600-0221 (Pairs only)
86"	01600-0227
96"	01600-0228
<ul style="list-style-type: none"> • 3/4" wide x 7/8" deep • 1-1/4" slotting • Other sizes available upon request • Shelves cannot be slanted down in Slim Line standards 	



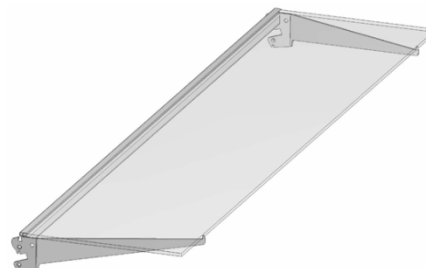
Telescoping Cornice Bracket

Description	Part Number
Right	01602-0023R
Left	01602-0023L
<ul style="list-style-type: none"> • Hooks into upright • Telescopes 20" to 34" 	



Tempered Glass Shelf w/Brackets

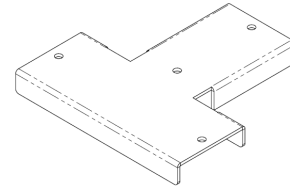
Depth	Width		Part Number
12	36	Glass Shelf	316-1236STR
14	36	Glass Shelf	316-1436STR
12	48	Glass Shelf	316-1248STR
14	48	Glass Shelf	316-1448STR
12	-	Shelf-lok Bracket	016020043 (Pair)
14	-	Shelf-lok Bracket	016020044 (Pair)
<ul style="list-style-type: none"> • 3/16" tempered glass • Left and Right brackets sold separately 			



Accessories

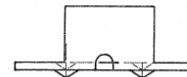
Half Gondola T-Brace Kit

Size	Part Number
-	01611-0208
<ul style="list-style-type: none"> Used to connect half gondola end cap to adjacent gondola end upright, All hardware included 	



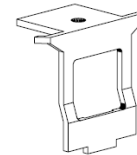
Top Cap Adapter Clip

	Part Number
-	08415-8398
<ul style="list-style-type: none"> Slides into side of standard when cutting to a smaller height Allows top cap to attach to standard 	



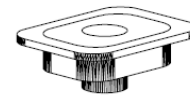
Top Cap Bracket

	Part Number
-	08415-0788
<ul style="list-style-type: none"> Drops into place at top of standard as an anchor for top cap Recommended on end gondolas receiving a feature end frame 	



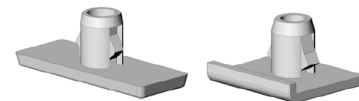
Cover Plates

	Part Number
-	08302-0593
<ul style="list-style-type: none"> Vinyl cover plate plugs superstructure hole in top cap Receives stem or sign holder Available in Décor White (15) or Charcoal Gray (KA) 	



Glides

Description	Part Number
Standards glide	01611-0541
Bottom arm glide	01611-0540
<ul style="list-style-type: none"> Glides are used to protect flooring when used with standards and bottom arms. Glides ship uninstalled 	



Touch Up Paint

Size	Part Number
Décor White (15)	00014-3183
Dove Gray (KM)	00014-3189
Dark Bronze (13)	00014-3185
Black (25)	00014-3186
Frosty White (LA)	00014-3196
Platinum Plus (PP)	00014-3193



Available in
12 oz. aerosol
only

Accessories

3" Chrome Wire Fencing

Size	Part Number
Front Fencing	
30	08303-0066
36	08303-0067
48	08303-0068
Front to Back Fencing Dividers	
10	08303-0079
12	08303-0080
14	08303-0081
16	08303-0082
18	08303-0083
20	08303-0084
22	08303-0085



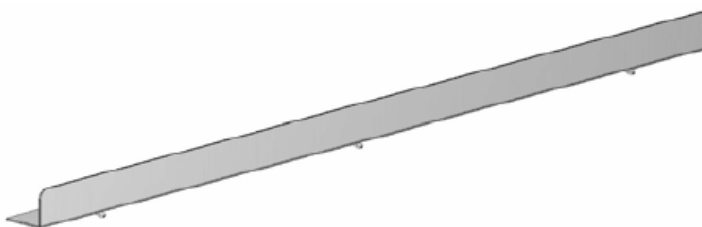
6" Chrome Wire Fencing

Size	Part Number
Front Fencing	
30	08303-0072
36	08303-0073
48	08303-0074
Front to Back Fencing Dividers	
10	08303-0091
12	08303-0092
14	08303-0093
16	08303-0094
18	08303-0095
20	08303-0096
22	08303-0097



Product Retainer

Size	Ht.	Part Number
30	1	08402-4771
36	1	08402-4772
48	1	08402-4773
<ul style="list-style-type: none"> • Installs into the front row of shelf perforations 		

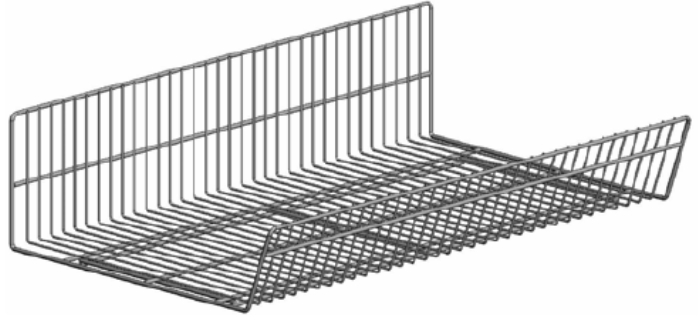


Accessories

Depth	Width	Part Number
12	36	08303-1935
14	36	08303-1934
16	36	08303-1933
12	48	08303-1928
14	48	08303-1927
16	48	08303-1926

- 9" tall back, 4-7/8" sloped front
- Chrome finish

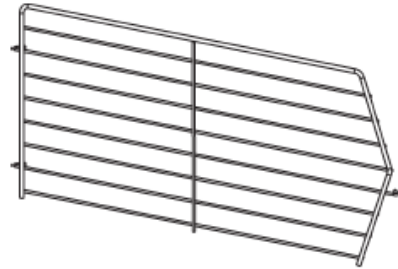
Endless Wire Basket



Depth	Part Number
12	08303-1946
14	08303-1945
16	08303-1944

- Chrome finish

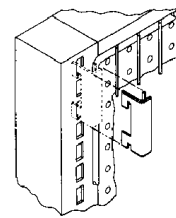
Wire Basket Dividers



Size	Part Number
Left	12304-400L
Right	12304-400R

- Zinc finish

Endless Wire Basket Bracket



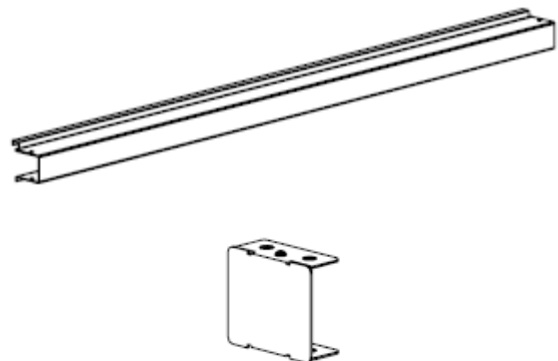
Base Nose	
Size	Part Number
48	08403-6560
36	08403-6559

- Converts trim-line fixture to trim-guard fixture
- Provides extra bump protection for fixture

Base Nose End Cap	
Part Number	
08403-6580	

- Finishes end of base nose
- Snaps into place

Base Nose / Base Nose End Cap

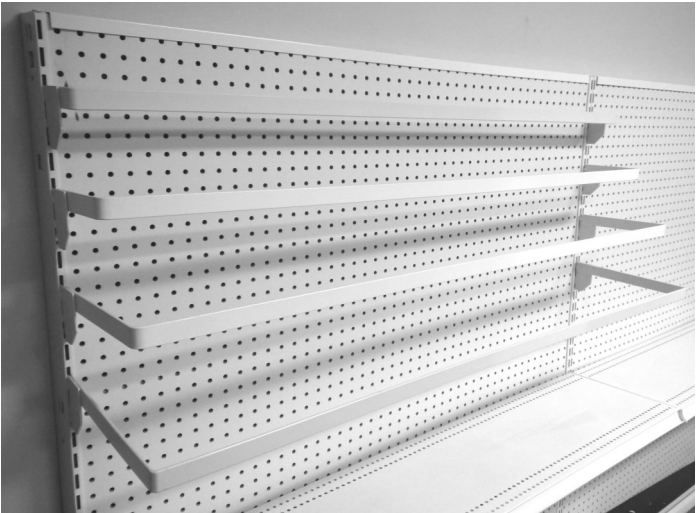


Accessories

Universal Crossbar

Depth	Width	Part Number
1	48	01606-0457
3	48	01606-0458
6	48	01606-0459
9	48	01606-0461
12	48	01606-0462
1	36	01606-0451
3	36	01606-0452
6	36	01606-0453
9	36	01606-0455
12	36	01606-0456

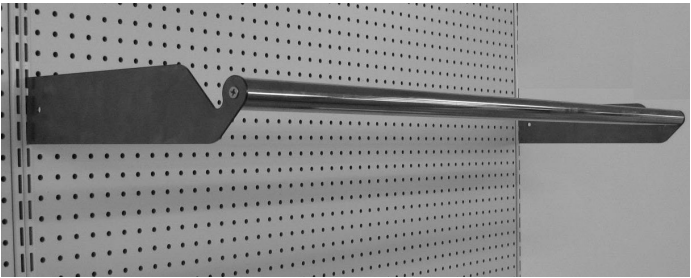
- For use with crossbar hooks and accessories
- 1" H x 1/4"D flat steel bar



Hang Rod Assembly

Size	Description	Part Number
36	3' hang rod	08301-030981
48	4' hang rod	08301-031081
12	12" brackets w/hardware	08401-2199PR
14	14" bracket w/hardware	08401-2200PR

- Chrome plated rod
- Brackets in pairs, painted finish



Display Rod

Size	Description	Part Number
36	3' display rod	01610-098381
48	4' display rod	01610-098481
06	6" bracket pair	01602-0202
10	10" bracket pair	01602-0204

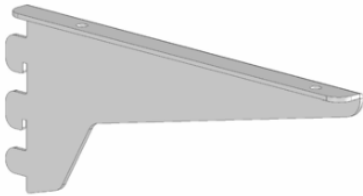
- Chrome 3/8" diameter plated rod
- Clear plastic end caps included with display rod



Flange Bracket

Size	Part Number
10	08401-0188 (Pair)
14	08401-0189 (Pair)
18	08401-0190 (Pair)
22	08401-0191 (Pair)

- 1 position bracket
- For use with countertops, wood shelves, & top panels

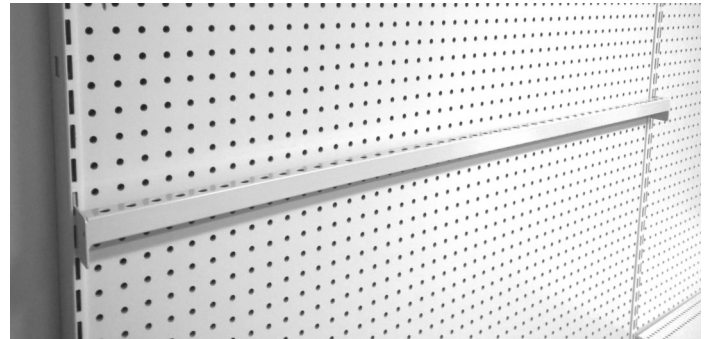


Accessories

Square Crosstube

Depth	Width	Part Number
2	48	08709-C0248
4	48	08709-C0448
6	48	08709-C0648
2	36	08709-C0236
4	36	08709-C0436
6	36	08709-C0636
2	30	08709-C0230
4	30	08709-C0430
6	30	08709-C0630

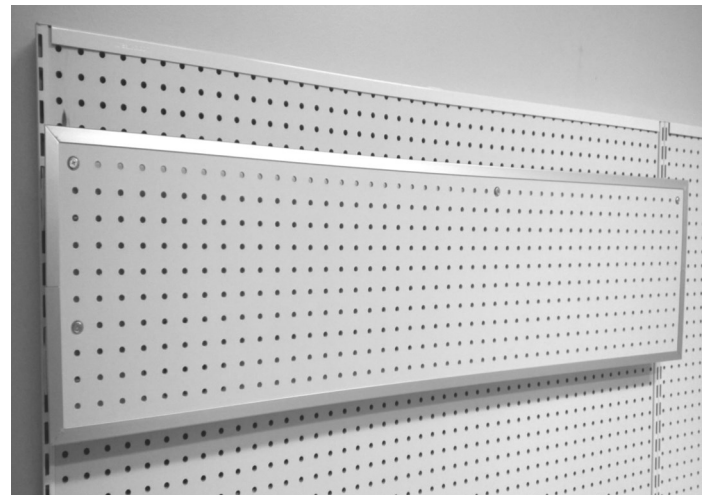
- 1" square tube punched 1' on center along the top
- Used with Ext. Peg, Hook Dividers, & HD Dividers



Extended Pegboard Panel

Width	Height	Part Number
48	12	08709-F1248
48	18	08709-F1848
48	24	08709-F2448
48	30	08709-F3048
48	36	08709-F3648
48	48	08709-F4848
36	12	08709-F1236
36	18	08709-F1836
36	24	08709-F2436
36	30	08709-F3036
36	36	08709-F3636
36	48	08709-F4836

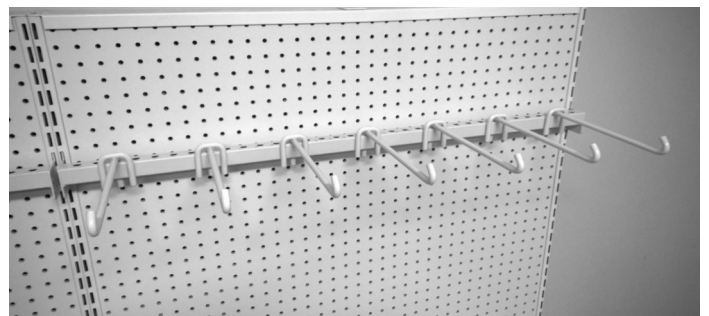
- Painted pegboard with aluminum frame
- Fits onto square crosstube bars, sold separately
- Extends products towards the customer



Hook Dividers

Size	Part Number
10	08709-H010
16	08709-H016

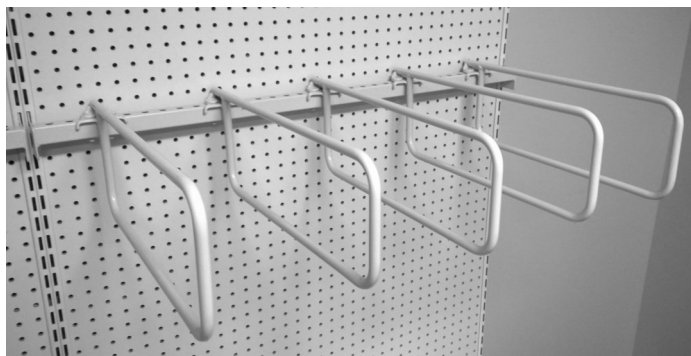
- Used to merchandise heavier items
- Can help vertically divide merchandise
- Fits into square crosstube bars, sold separately
- Hooks installed at a 45° or 90° angle



Accessories

Heavy Duty Dividers

Size	Part Number
18	08709-HD18
24	08709-HD24
<ul style="list-style-type: none"> • Divides heavy merchandise vertically • Fits into square crosstube bars, sold separately • Dividers installed at a 45° or 90° angle 	



M Dividers

Size	Part Number
24D x 48H	08709-0054
<ul style="list-style-type: none"> • Divides heavy merchandise vertically • Fits into (2) square crosstube bars, sold separately • Dividers installed at a 45° or 90° angle • 24" Deep x 48" High 	

